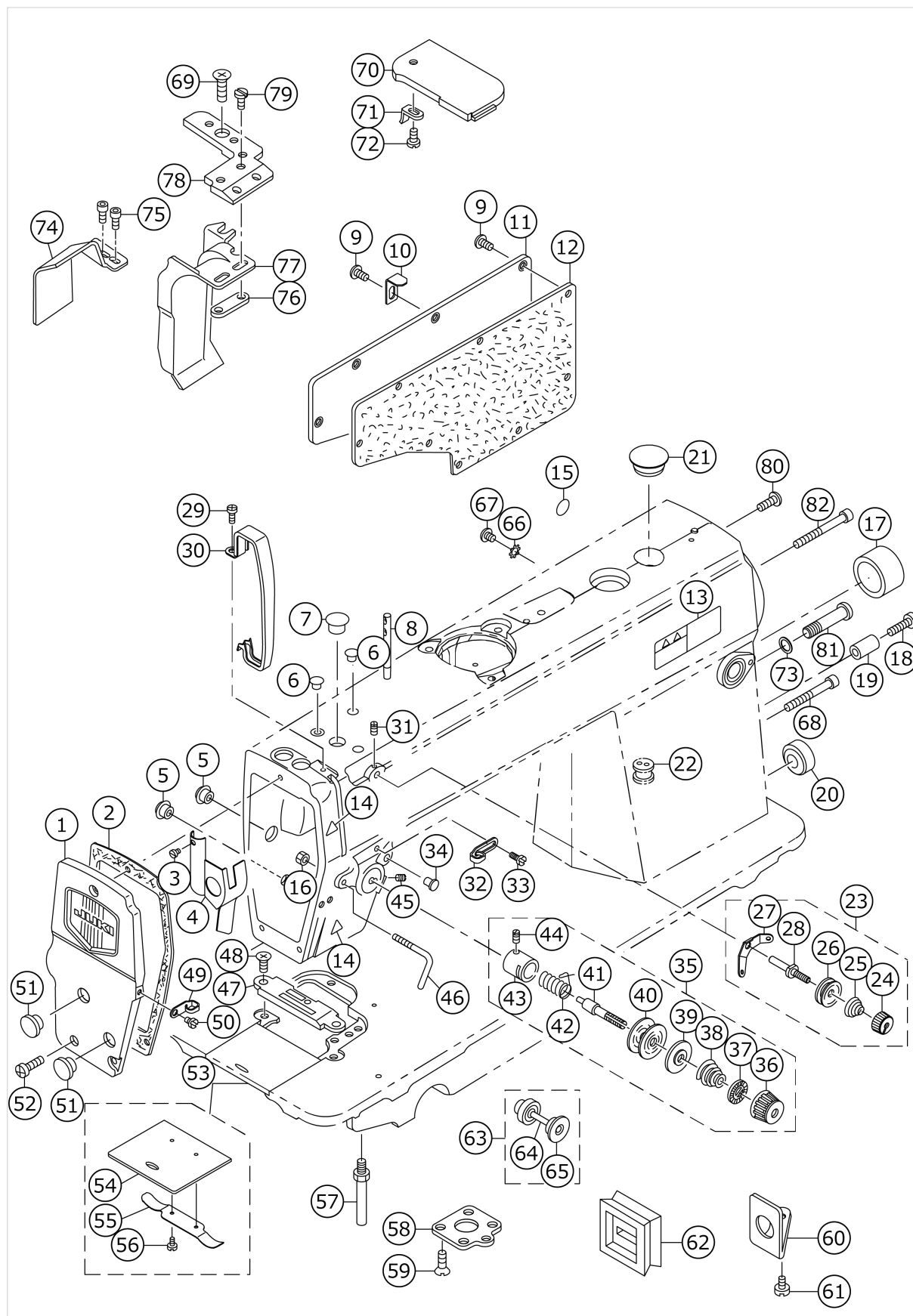


# DLM-5400NDD-7

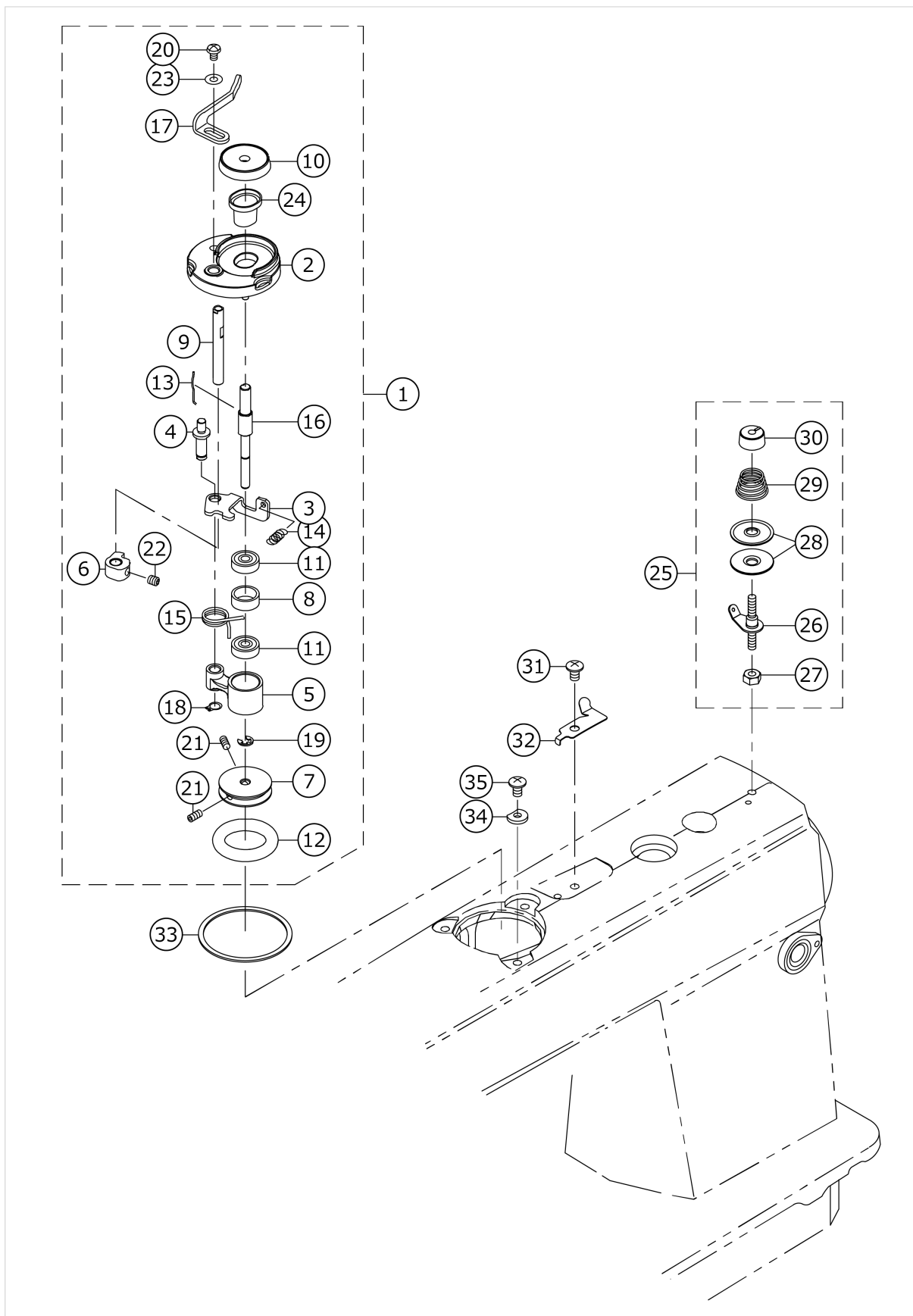
## MACHINE FRAME & MISCELLANEOUS COVER COMPONENTS



No.	品番	品名	備考	子部品	消耗品	個数
1	11325750	FACE PLATE ASM.				1.00
2	11300506	FACE PLATE GASKET				1.00
3	SS6080410SP	SCREW 1/8-44 L=4				1.00
4	22900757	FACE PLATE OIL SHIELD ASM.				1.00
5	TA1250504R0	RUBBER PLUG				2.00
6	TA0850604R0	RUBBER PLUG				2.00
7	TA1250705R0	RUBBER PLUG				1.00
8	22958300	NEEDLE THREAD GUIDE PIN				1.00
9	SS4120915SP	SCREW 3/16-28 L=9				8.00
10	40126308	CORD_CLAMP				1.00
11	40156263	WINDOW PLATE				1.00
12	40012129	SIDE PLATE PACKING				1.00
13	CM301300001	SAFETY LABEL				1.00
14	CM300200001	ATTENTION SEAL				2.00
15	22901805	GROUND MARK				1.00
16	NS6090310SP	NUT 9/64-40				1.00
17	TA2000502R0	RUBBER PLUG				1.00
18	SS6121840SP	SCREW 3/16-28 L=18				1.00
19	22952501	BACK LEVER STOPPER				1.00
20	TA2101002R0	RUBBER PLUG				1.00
21	TA2100904R0	RUBBER PLUG				1.00
22	40111022	MAGNET CORD RUBBER				1.00
23	22945463	THREAD TENSION ASM. NO.1				1.00
24	22945703	THREAD TENSION NUT		*		1.00
25	22945505	THREAD TENSION SPRING		*		1.00
26	22945802	THREAD TENSION DISK		*		2.00
27	22945604	THREAD TENSION GUIDE		*		1.00
28	22945414	THREAD TENSION POST		*		1.00
29	SS4120615SP	SCREW 3/16-28 L=6				1.00
30	40156268	THREAD TAKE-UP LEVER COVER				1.00
31	SS4120615SP	SCREW 3/16-28 L=6				1.00
32	22920508	ARM THREAD GUIDE A				1.00
33	22921001	SCREW				1.00
34	TA0850604R0	RUBBER PLUG				1.00
35	22945356	THREAD TENSION ASM.				1.00
36	22921308	THREAD TENSION NUT		*		1.00
37	22921407	ROTATION STOPPER		*		1.00
38	22921704	THREAD TENSION SPRING A		*		1.00
39	22921803	DISK STOPPER		*		1.00
40	22921506	THREAD TENSION DISK		*		2.00
41	22921209	THREAD TENSION POST		*		1.00
42	22921605	THREAD TAKE-UP SPRING		*		1.00
43	22945307	THREAD TENSION POST BASE		*		1.00
44	SS8090670SP	SCREW 9/64-40 L=5.5		*		1.00
45	SS8150710TP	SCREW 15/64-28 L=7				1.00
46	22972608	ARM THREAD GUIDE C				1.00
47	B1190522S00	GAUGE PLATE 1/8 S	FOR STANDARD GAUGE (D)			1.00
48	SS2110915SP	SCREW 11/64-40 L=8.5				2.00
49	22920607	ARM THREAD GUIDE B				1.00

50	SS6110610TP	SCREW 11/64-40 L=6				1.00
51	TA1250406R0	RUBBER PLUG D=12.5 L=4				2.00
52	SS4121015SP	SCREW 3/16-28 L=10				3.00
53	22901250	SLIDE PLATE ASM.				1.00
54	22901201	SLIDE PLATE		*		1.00
55	22901300	SLIDE PLATE SPRING		*		1.00
56	SS6060210SP	SCREW 3/32-56 L=1.9		*		1.00
57	22901003	BED SCREW STUD				4.00
58	11300407	PRESSER BAR SUPPORT				1.00
59	SS1120710SP	SCREW 3/16-28 L=6.5				4.00
60	11345709	OIL SHIELD				1.00
61	SS6110610TP	SCREW 11/64-40 L=6				1.00
62	11345600	OIL RUBBER				1.00
63	B31334150A0	TENSION RELEASE PIN CAP ASM.				1.00
64	B3118415000	TENSION RELEASE PIN		*		1.00
65	B3136415000	CAP RING		*		1.00
66	WT0530002KS	TOOTHED WASHER D=5.3				1.00
67	SS4120615SP	SCREW 3/16-28 L=6				1.00
68	SM6054002TN	SCREW M5X0.8 L=40				1.00
69	SS2110915SP	SCREW 11/64-40 L=8.5				2.00
70	B111553100D	THROAT PLATE COVER D ASM.				1.00
71	B1115522000A	OPEN COVER SPRING				1.00
72	SS4080310SP	SCREW 1/8-44 L=3.4				1.00
73	WP0820516SP	WASHER 11.6X8.2X0.6				1.00
74	11346400	WASTE MATERIAL GUIDE				1.00
75	11345808	SCREW				2.00
76	B1193530000	WASTE MATERIAL GUARD PLATE				1.00
77	11346905	WASTE MATERIAL GUARD E				1.00
78	11346004	NEEDLE PLATE A				1.00
79	SS6080410SP	SCREW 1/8-44 L=4				2.00
80	SM4051401SE	SCREW M5 L=14				1.00
81	40126305	SCREW_5/16-24_35				1.00
82	SM6054502TP	SCREW M5X0.8 L=45				1.00

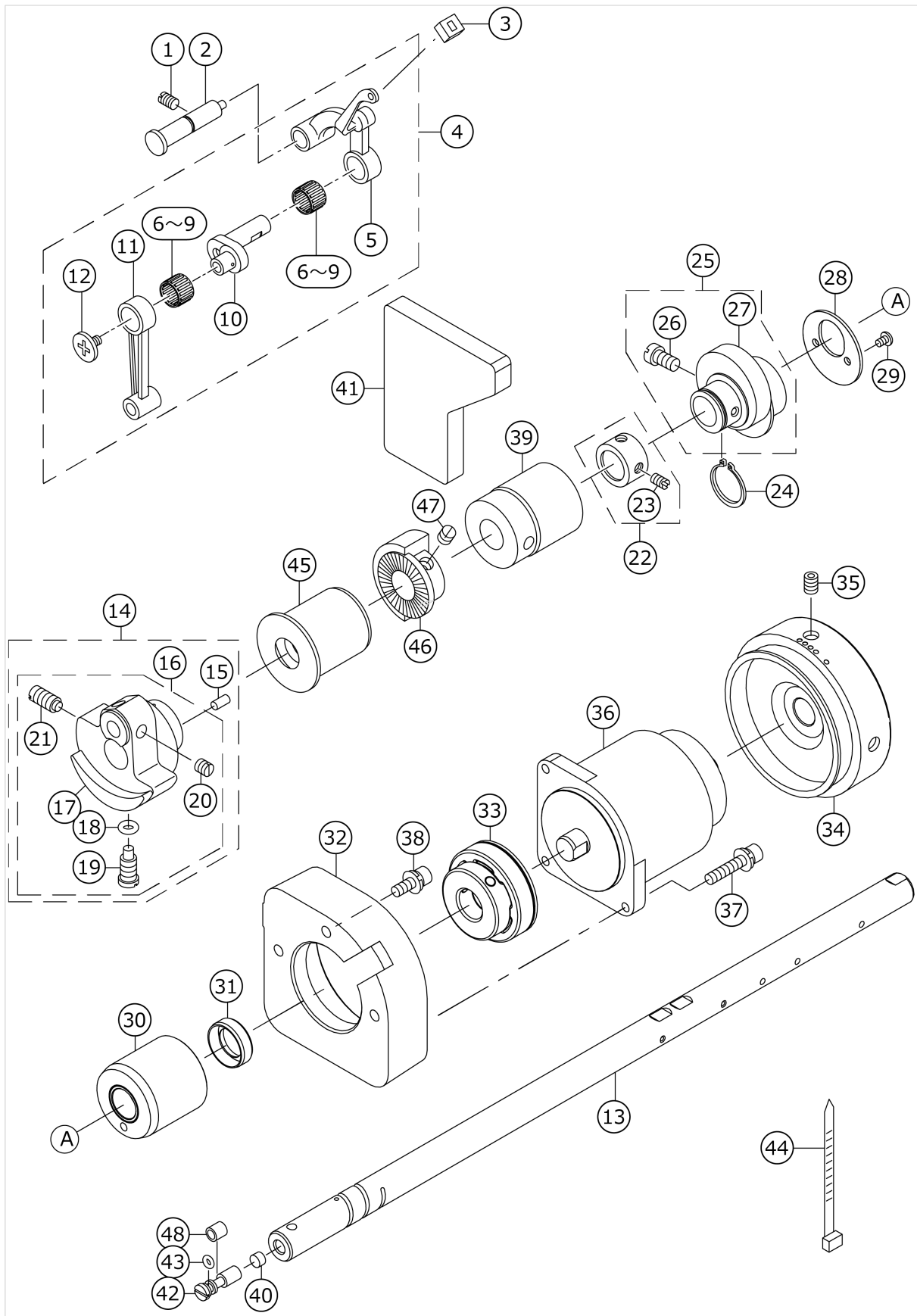
# BOBBIN WINDER COMPONENTS





No.	品番	品名	備考	子部品	消耗品	個数
1	40110976	BOBBIN_WINDER_UNIT				1.00
2	26260109	BTW_BASE		*		1.00
3	26260208	BTW_CAM_PLATE		*		1.00
4	26260307	BTW_BASE_SHAFT		*		1.00
5	26260406	BTW_SHAFT_BASE		*		1.00
6	26260505	BTW_CAM_LEVER		*		1.00
7	26260604	BTW_WHEEL		*		1.00
8	26260802	BTW_BEARING_SPACER		*		1.00
9	26261008	BTW_LEVER_SHAFT		*		1.00
10	26261206	BTW_SPACER		*		1.00
11	26261305	BTW_BEARING		*		2.00
12	26261503	BTW_WHEEL_RUBBER		*		1.00
13	26261602	BOBBIN_SPRING		*		1.00
14	26261701	BTW_SPRING		*		1.00
15	40011144	BTW_TORSION_SPRING		*		1.00
16	40110975	BTW_SHAFT		*		1.00
17	40021933	BTW_LEVER		*		1.00
18	RC0560711KP	RETAINING RING		*		1.00
19	RE0400000K0	E-RING 4		*		1.00
20	SM5040655SN	SCREW		*		1.00
21	SM8040802TP	SCREW M4X8		*		2.00
22	SM8050502TP	SCREW M5 L=5		*		1.00
23	WP0450826SC	WASHER 4.5X10X0.8		*		1.00
24	40119475	OIL_GUARD		*		1.00
25	40110731	BOBBIN_THREAD_TENSION_ASSY				1.00
26	40110734	BOBBIN_THREAD_ROD_ASSY		*		1.00
27	NS6120630SP	NUT 3/16-28		*		1.00
28	22921506	THREAD TENSION DISK		*		2.00
29	D7133555B00	CONNECTING ROD SPRING		*		1.00
30	22945703	THREAD TENSION NUT		*		1.00
31	SM0050801SC	SCREW				1.00
32	40037008	THREAD_CUTTER				1.00
33	40163521	PACKING				1.00
34	40113241	BTW SPACER				1.00
35	SM0050801SC	SCREW				3.00

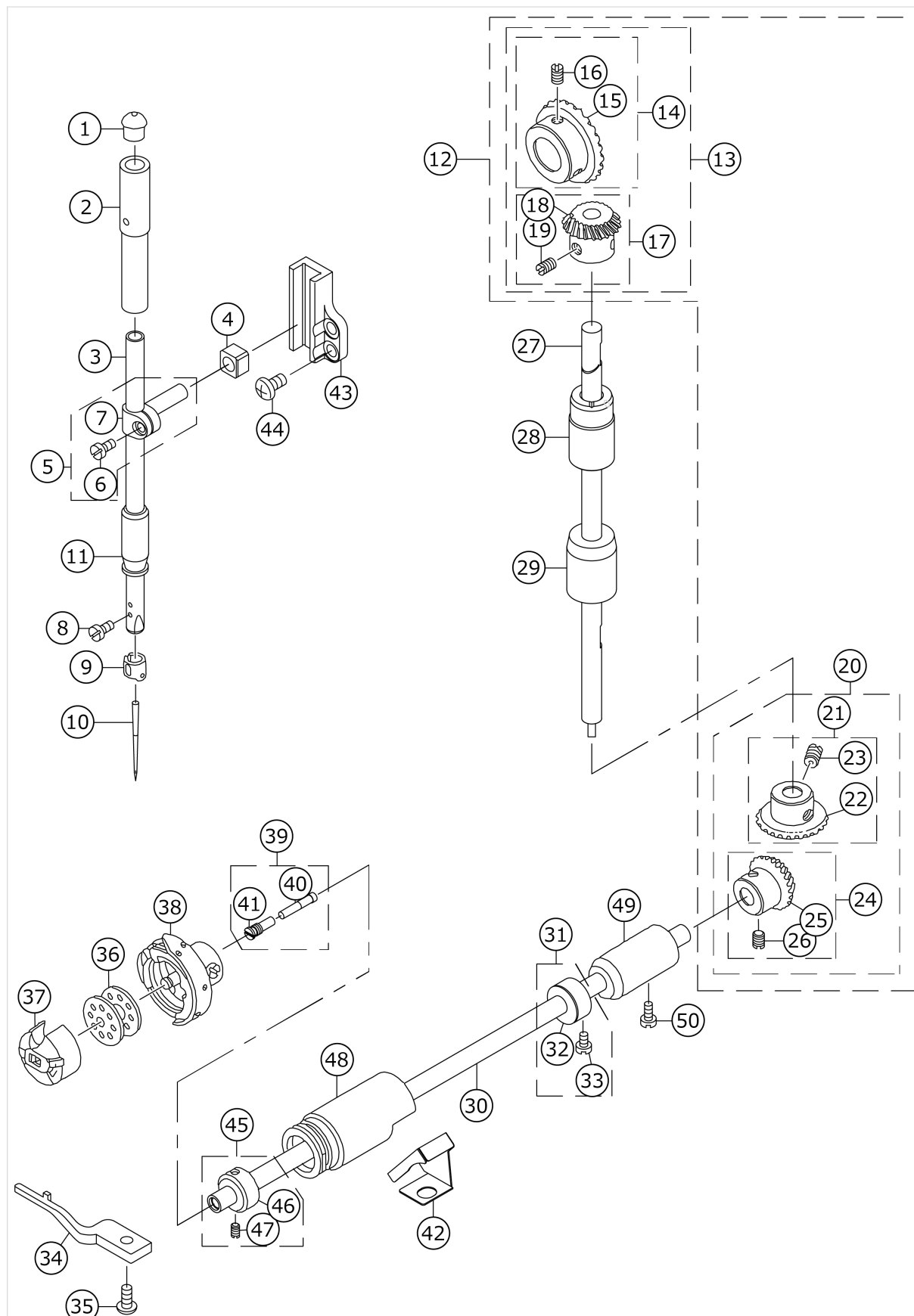
# MAIN SHAFT & THREAD TAKE-UP LEVER COMPONENTS



No.	品番	品名	備考	子部品	消耗品	個数
1	SS8151150TP	SCREW 15/64-28 L=10.5				1.00
2	11017357	THREAD TAKE-UP CRANK SHAFT ASM.				1.00
3	22919203	OIL PROTECTING RUBBER				1.00
4	22918072	THREAD TAKE-UP LEVER COMPL.				1.00
5	22918064	THREAD TAKE-UP LEVER		*		1.00
6	22918403	NEEDLE BEARING A	SELECTIVE PARTS	*		2.00
7	22918502	NEEDLE BEARING B	SELECTIVE PARTS	*		2.00
8	22918601	NEEDLE BEARING C	SELECTIVE PARTS	*		2.00
9	22918700	NEEDLE BEARING D	SELECTIVE PARTS	*		2.00
10	22918106	NEEDLE BAR CRANK		*		1.00
11	22906606	NEEDLE BAR CRANK ROD		*		1.00
12	22918304	LEFT SCREW		*		1.00
13	40226452	MAIN_SHAFT				1.00
14	40097023	COUNTER WEIGHT M COMPL.				1.00
15	PS0400082KP	SPRING PIN		*		1.00
16	40095785	COUNTER WEIGHT_M ASM.		*		1.00
17	40095786	COUNTER WEIGHT_M		*		1.00
18	RO044240100	RUBBER RING		*		1.00
19	SS7681650TP	SCREW 9/32-28 L=16		*		1.00
20	SS8660610TP	SCREW 1/4-40 L=6		*		2.00
21	SS8681650TP	SCREW 9/32-28 L=16		*		1.00
22	40144306	MAIN SHAFT THRUST COLLAR ASM.				1.00
23	SS8660610TP	SCREW 1/4-40 L=6		*		2.00
24	RC1850001KP	SNAP RING 18.5				1.00
25	22910053	FEED DRIVE ECCENTRIC CAM ASM.				1.00
26	SS6661110SP	SCREW 1/4-40 L=11		*		2.00
27	22910004	FEED DRIVE ECCENTRIC CAM		*		1.00
28	40156261	THRUST COLLAR				1.00
29	SS4090615SP	SCREW 9/64-40 L=6				2.00
30	40110978	MAIN_SHAFT_BUSHING				1.00
31	40139216	OIL_SEAL				1.00
32	40157604	MAIN_MOTOR_BASE_76				1.00
33	40111025	COUPLING_ASM.				1.00
34	40200576	HAND_PULLEY				1.00
35	SM80608A2TP	SCREW M6 L=8				2.00
36	40140419	SERVO MOTOR				1.00
37	SL6052592TN	BOLT				3.00
38	SL6051492TN	BOLT				3.00
39	22903306	BUSHING,INTERMEDIATE				1.00
40	11002904	ROLLER FELT				1.00
41	40111424	FILTER				1.00
42	B1213552000A	OIL ADJUSTING PIN				1.00
43	RO029180100	RUBBER RING				1.00
44	HX000430000	CLIP				1.00
45	11349107	BUSHING FRONT				1.00
46	40126410	DRIVING_WHEEL				1.00

47	SS8660610TP	SCREW 1/4-40 L=6				2.00
48	B1215552000	OIL ADJUSTING COLLAR				1.00

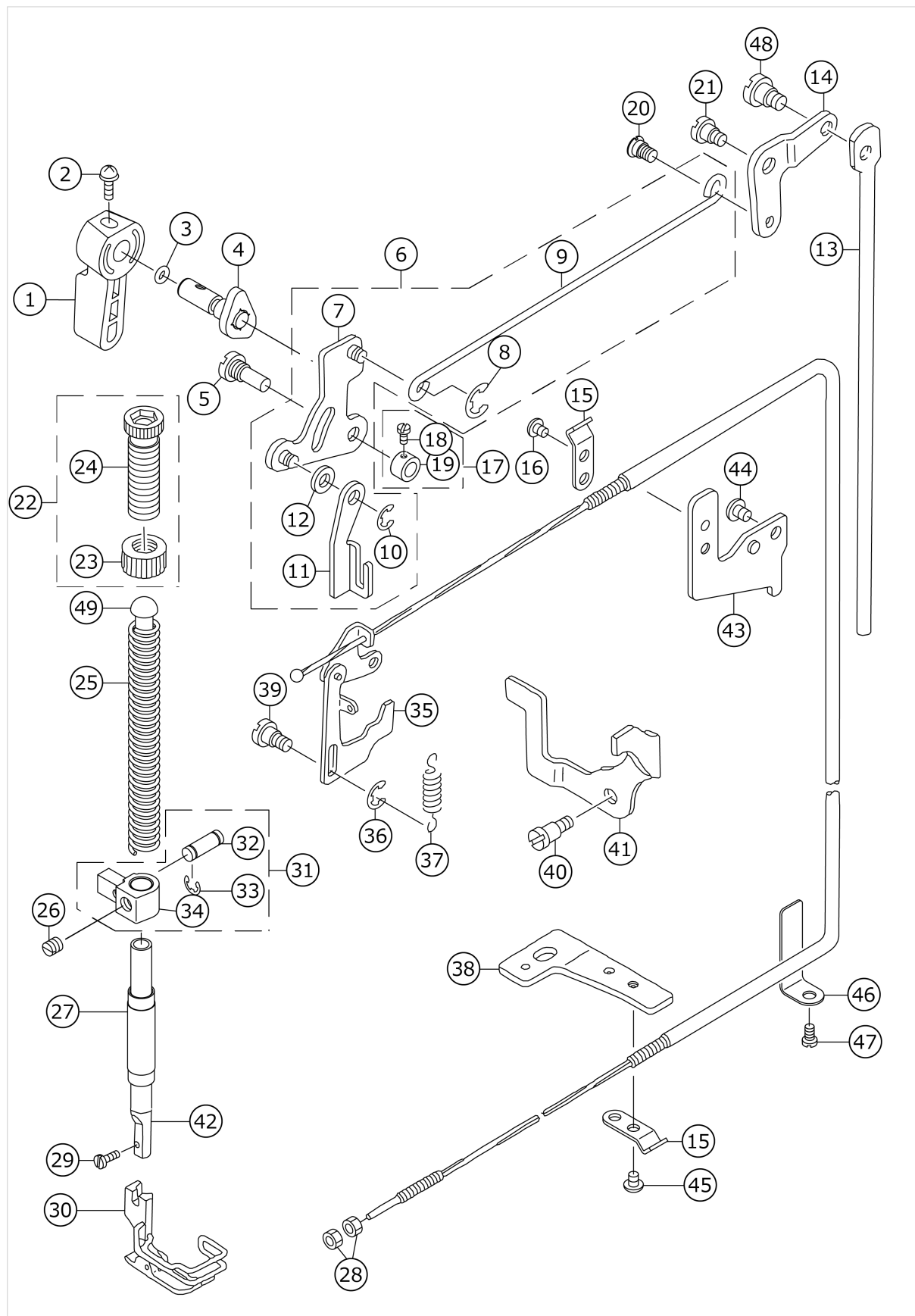
# NEEDLE BAR, UPRIGHT SHAFT & HOOK DRIVING SHAFT COMPONENTS



No.	品番	品名	備考	子部品	消耗品	個数
1	22901409	NEEDLE BAR UPPER BUSH CAP				1.00
2	22906101	NEEDLE BAR BUSHING				1.00
3	11349701	NEEDLE BAR A				1.00
4	40090058	SLIDE BLOCK				1.00
5	22906457	NEEDLE BAR HOLDER ASM.				1.00
6	SS6090670TP	SCREW 9/64-40 L=6		*		1.00
7	22906408	NEEDLE ROD HOLDER		*		1.00
8	SS7080510TP	SCREW 1/8-44 L=4.5				1.00
9	B1418530000	NEEDLE BAR THREAD GUIDE				1.00
10	MDB100B1400	NEEDLE DBX1 #14				1.00
11	22906200	NEEDLE BAR BUSHING LOWER				1.00
12	B13061550C0	GEAR & PINION ASM.				1.00
13	B13061550B0	GEAR & PINION ASM. UPPER		*		1.00
14	B13050120A0	GEAR ASM.		*		1.00
15	B1305012000	GEAR		*		1.00
16	SS8660810TP	SCREW 1/4-40 L=8		*		2.00
17	B13061550A0	PINION ASM.		*		1.00
18	B1306155000	PINION		*		1.00
19	SS8660810TP	SCREW 1/4-40 L=8		*		2.00
20	B13071550B0	GEAR & PINION ASM. LOWER		*		1.00
21	B13071550A0	GEAR ASM. LARGE		*		1.00
22	B1307155000	MITRE GEAR LARGE		*		1.00
23	SS8660810TP	SCREW 1/4-40 L=8		*		2.00
24	B13081550A0	PINION ASM.		*		1.00
25	B1308155000	MITRE GEAR SMALL		*		1.00
26	SS8660810TP	SCREW 1/4-40 L=8		*		2.00
27	22905004	UPRIGHT SHAFT				1.00
28	22905103	UPRIGHT SHAFT BUSHING UPPER				1.00
29	40156272	UPRIGHT SHAFT BUSHING				1.00
30	22916001	HOOK DRIVING SHAFT				1.00
31	22917157	THRUST COLLAR ASM. REAR				1.00
32	22917108	THRUST COLLAR		*		1.00
33	SS6110420TP	SCREW 11/64-40 L=4.8		*		2.00
34	11038809	BOBBIN CASE HOLDER				1.00
35	SS4110915TP	SCREW 11/64-40 L=9				1.00
36	22932909	BOBBIN				1.00
37	11038759	BOBBIN CASE ASM.				1.00
38	11038650	HOOK ASM.				1.00
39	22916555	OIL SEAL SCREW ASM.				1.00
40	11015906	OIL WICK		*		1.00
41	22916506	SET SCREW		*		1.00
42	22942601	OIL SHIELD				1.00
43	11349909	ROLLER GUIDE BRACKET				1.00
44	SS4120915SP	SCREW 3/16-28 L=9				2.00
45	22917058	THRUST COLLAR ASM. FRONT				1.00
46	22917009	THRUST COLLAR		*		1.00
47	SS8110410TP	SCREW 11/64-40 L=3.5		*		2.00
48	11351004	BUSHING FRONT				1.00
49	22916308	HOOK DRIVING SHAFT BUSH REAR				1.00
50	SS4120915SP	SCREW 3/16-28 L=9				1.00



# HAND LIFTER COMPONENTS

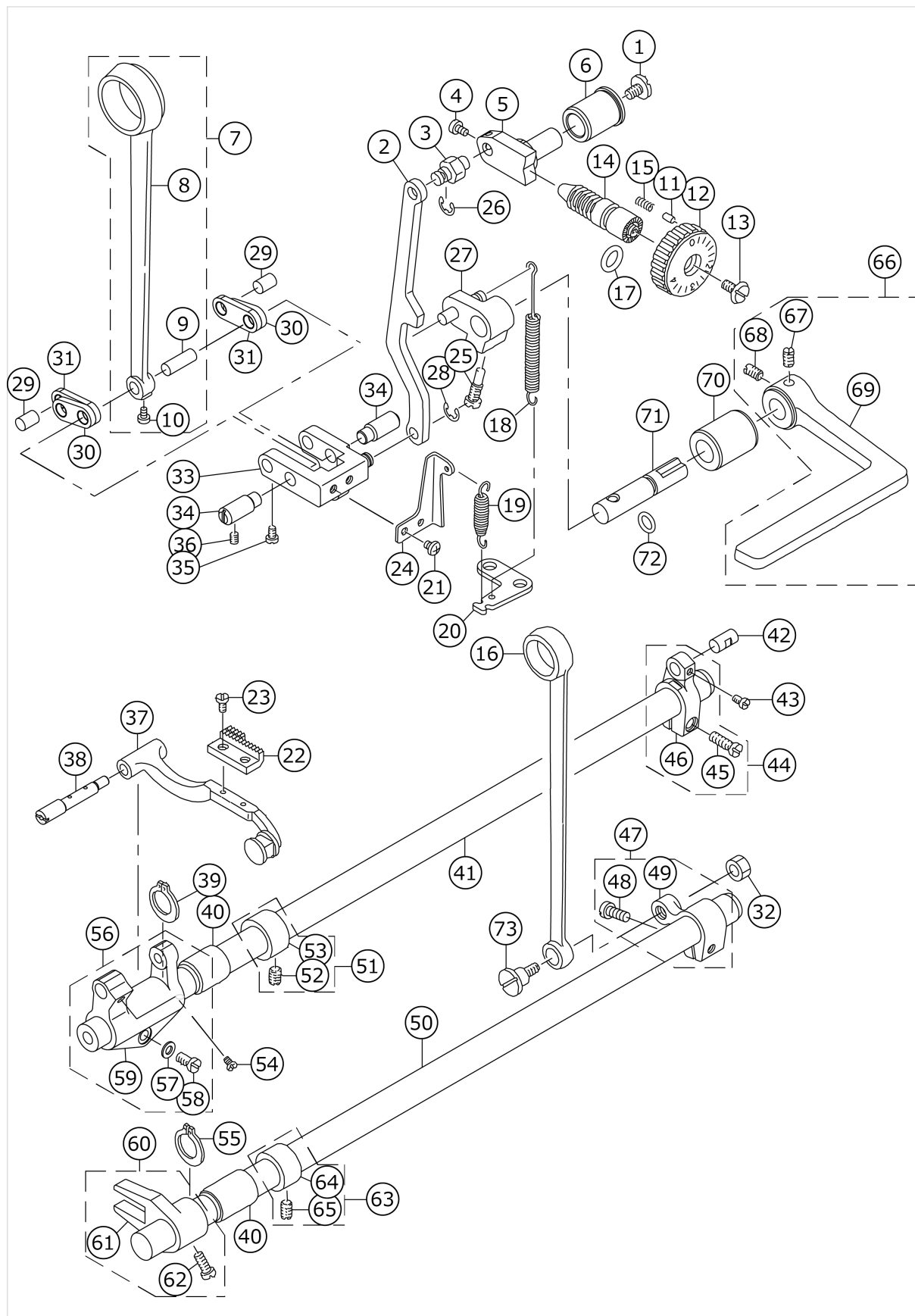




No.	品番	品名	備考	子部品	消耗品	個数
1	22907802	HAND LIFTER				1.00
2	B1521555000	SCREW				1.00
3	RO037180100	O-RING				1.00
4	22908552	HAND LIFTER CAM ASM.				1.00
5	11301702	LINK SHAFT				1.00
6	11301652	LIFTING LEVER ASM.				1.00
7	22908156	LIFTING LINK ASM.		*		1.00
8	RE0500000K0	E-RING		*		1.00
9	22908305	KNEE LIFTER SIDE ROD		*		1.00
10	RE0500000K0	E-RING		*		1.00
11	40165972	LIFTING LEVER		*		1.00
12	WP0650876SD	WASHER 6.5X13X0.8		*		1.00
13	11205408	CONNECTING ROD				1.00
14	11205309	LIFTING LEVER LINK				1.00
15	22944508	WIRE PRESSER A				2.00
16	SS4110515SP	SCREW 11/64-40 L=5				1.00
17	CS064061ASP	THRUST COLLAR ASM.				1.00
18	SS7090620TP	SCREW 9/64-40 L=6.1		*		2.00
19	CS0640611SP	THRUST HOLDER		*		1.00
20	22908909	HINGE SCREW				1.00
21	SD0720331SP	HINGE SCREW D=7.24 H=3.3				1.00
22	22907554	PRESSER SPRING REGULATOR NUT ASM.				1.00
23	22907604	PRESSER SPRING REGULATOR NUT		*		1.00
24	22907505	PRESSER SPRING REGULATOR		*		1.00
25	22907406	PRESSER SPRING				1.00
26	SS8660610TP	SCREW 1/4-40 L=6				1.00
27	40150933	PRESSER BAR BUSHING LOWER				1.00
28	NS6620310SP	NUT 3/16-32				2.00
29	SS6090910SP	SCREW 9/64-40 L=9				1.00
30	B1524530DB0	PRESSER FOOT ASM.	FOR STANDARD GAUGE (D)			1.00
31	11301355	NEEDLE BAR GUIDE BRACKET ASM.				1.00
32	11301405	PIN		*		1.00
33	RE0300000K0	E-RING 3		*		2.00
34	11301306	NEEDLE BAR GUIDE BRACKET		*		1.00
35	11355351	TENSION RELEASE WIRE ASM.				1.00
36	RE0300000K0	E-RING 3				1.00
37	11305901	SPRING				1.00
38	22944706	WIRE PRESSER BASE LOWER				1.00
39	11306107	TENSION RELEASE PLATE SHAFT				1.00
40	SD0640261SP	HINGE SCREW D=3.65 H=2.6				1.00
41	11355609	TENSION RELEASE HOLDER				1.00
42	B1501530000	PRESSER BAR				1.00
43	22944607	WIRE PRESSER BASE UPPER				1.00
44	SS4120615SP	SCREW 3/16-28 L=6				1.00
45	SS4110515SP	SCREW 11/64-40 L=5				1.00
46	22945109	WIRE CABLE SUPPORT				1.00
47	SS4120615SP	SCREW 3/16-28 L=6				1.00
48	SD0600322SD	HINGE SCREW D=6 H=3.2				1.00
49	40156271	PRESSER GUIDE BAR				1.00



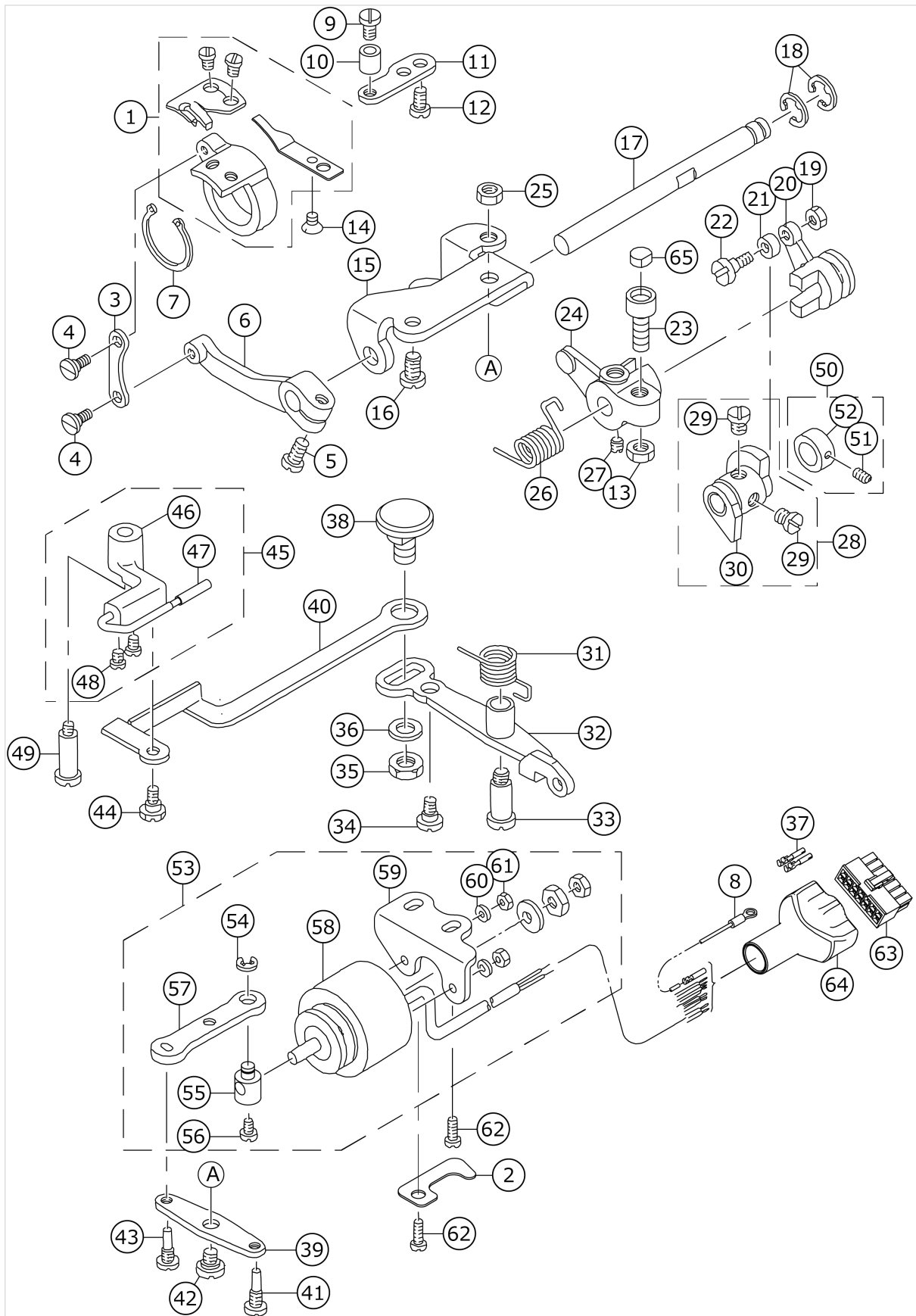
# FEED MECHANISM COMPONENTS



No.	品番	品名	備考	子部品	消耗品	個数
1	SS7120770SH	SCREW 3/16-28 L=7				1.00
2	22941108	FEED ADJUST ROD				1.00
3	22911507	WALKING FOOT PIN C				1.00
4	SS6090670TP	SCREW 9/64-40 L=6				2.00
5	22911606	FEED REGULATOR				1.00
6	11009800	FEED REGULATOR BUSHING				1.00
7	22910251	ROCKER SHAFT CONNECTING ROD ASM.				1.00
8	22910202	ROCKER SHAFT CONNECTING ROD		*		1.00
9	22911101	WALKING FOOT PIN C		*		1.00
10	SS6090620TP	SCREW		*		1.00
11	22912000	FEED REGULATOR PIN				1.00
12	22940506	FEED DIAL				1.00
13	SS6121860SP	SCREW 3/16-28 L=18				1.00
14	22911804	FEED REGULATOR SCREW				1.00
15	22912109	FEED REGULATOR PIN SPRING				1.00
16	22915003	CONNECTING ROD				1.00
17	RO092270200	RUBBER RING				1.00
18	11010311	FEED REVERSE SPRING				1.00
19	11037405	SPRING				1.00
20	22913701	FEED SPRING HOOK				1.00
21	SS4110515SP	SCREW 11/64-40 L=5				2.00
22	B1613522N00A	FEED DOG	FOR STANDARD G AUGE (D) AND (F) SUBCLASS			1.00
23	SS4080620TP	SCREW 1/8-44 L=6				2.00
24	22941306	REGULATOR LINK SPRING HOOK				1.00
25	22912505	FEED REVERSE ARM SCREW				1.00
26	RE0500000K0	E-RING				1.00
27	22912257	FEED REVERSE ARM ASM.				1.00
28	RE0500000K0	E-RING				1.00
29	22910905	WALKING FOOT PIN A				2.00
30	40093417	CONNECTING LINK A				2.00
31	40089548	CONNECTING LINK B				2.00
32	NS6680410SP	NUT 9/32-28				1.00
33	22940951	FEED ADJUST LINK ASM.				1.00
34	22910806	ADJUST LINK FULCRUM SHAFT A				2.00
35	SS6090620TP	SCREW				2.00
36	SS8150710TP	SCREW 15/64-28 L=7				2.00
37	22940753	FEED BAR ASM.				1.00
38	22940803	FEED BAR SHAFT				1.00
39	RC0150001KP	RETAINING RING 13.8				1.00
40	22913008	FEED ROCKER SHAFT BUSHING				2.00
41	22912901	FEED ROCKER SHAFT				1.00
42	22911002	WALKING FOOT PIN B				1.00
43	SS6090620TP	SCREW				1.00
44	22910350	FEED ROCKER SHAFT CRANK ASM.				1.00
45	SS6121610SP	SCREW 3/16-28 L=15.5		*		1.00
46	22910301	FEED ROCKER SHAFT CRANK		*		1.00
47	22915151	FEED ARM COMPL.				1.00
48	SS6121210SP	SCREW 3/16-28 L=12		*		1.00

49	22915102	FEED ARM		*		1.00
50	22915201	FEED DRIVING SHAFT				1.00
51	40144306	MAIN SHAFT THRUST COLLAR ASM.				1.00
52	SS8660610TP	SCREW 1/4-40 L=6		*		2.00
53	40144307	MAIN SHAFT THRUST COLLAR		*		1.00
54	SS7110740TP	SCREW 11/64-40 L=7				1.00
55	RC0150001KP	RETAINING RING 13.8				1.00
56	22940654	FEED ROCKER ASM.				1.00
57	WP0480856SP	WASHER 4.8X8.4X0.8		*		1.00
58	SS7121410TP	SCREW 3/16-28 L=14		*		1.00
59	22940605	FEED ROCKER		*		1.00
60	40150931	DRIVING SHAFT CRANK ASM				1.00
61	40150932	DRIVING SHAFT CRANK		*		1.00
62	SS7111120SP	SCREW 11/64-40 L=10.5		*		1.00
63	40144306	MAIN SHAFT THRUST COLLAR ASM.				1.00
64	40144307	MAIN SHAFT THRUST COLLAR		*		1.00
65	SS8660610TP	SCREW 1/4-40 L=6		*		2.00
66	22912752	FEED LEVER ASM.				1.00
67	SM8061050TP	SCREW		*		1.00
68	SM8061010TP	SCREW		*		1.00
69	22912703	FEED LEVER		*		1.00
70	22912802	FEED LEVER SHAFT BUSHING				1.00
71	22912604	FEED REVERSE SHAFT				1.00
72	RO078190100	RUBBER RING				1.00
73	SD1000801SH	HINGE SCREW D=10 H=8				1.00

# THREAD TRIMMER MECHANISM COMPONENTS

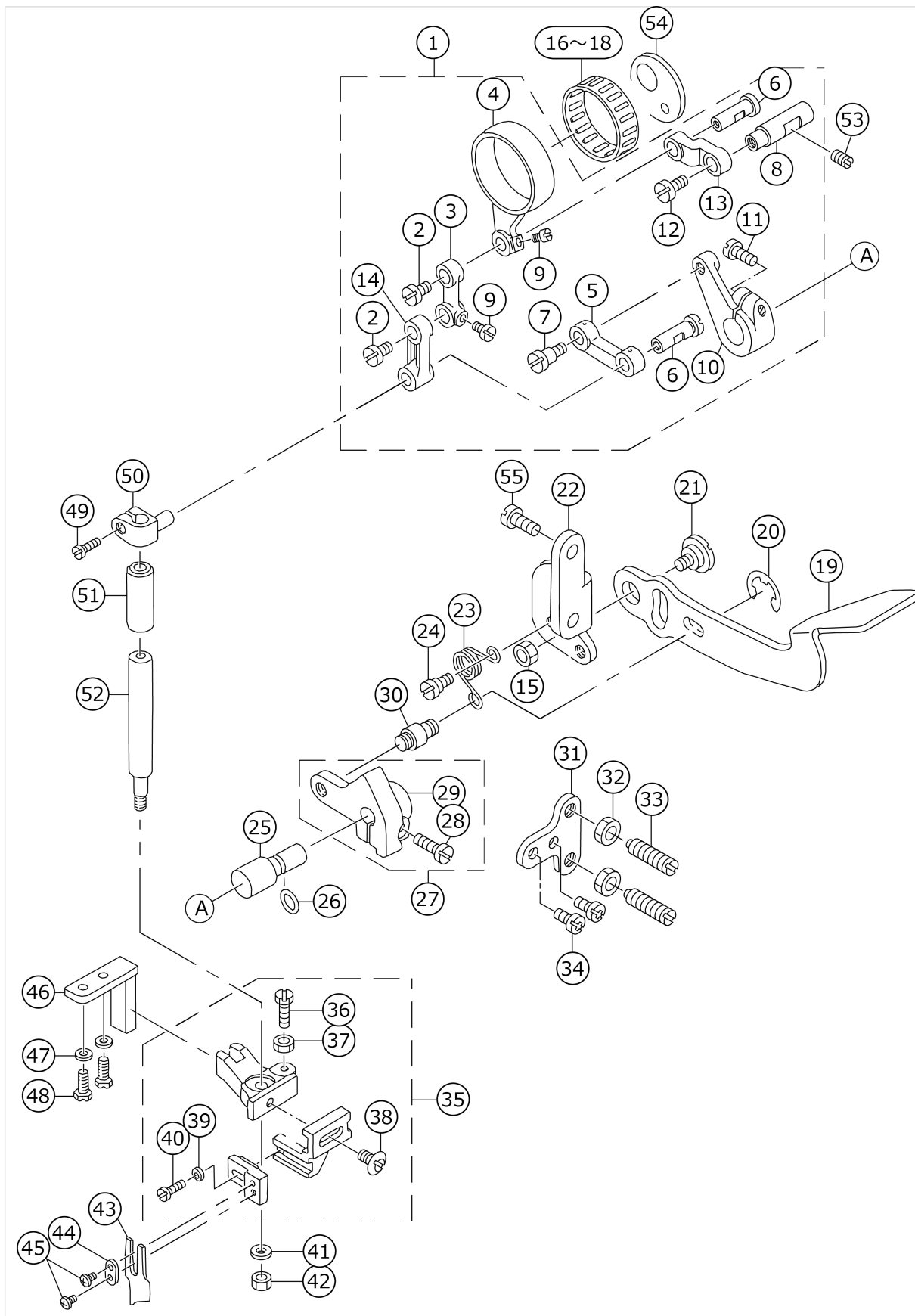


No.	品番	品名	備考	子部品	消耗品	個数
1	40120641	MOVING KNIFE ASM.				1.00
2	22924807	PIPE HOLDER LOWER				1.00
3	11352101	MOVING KNIFE LINK				1.00
4	SD0500251SP	HINGE SCREW D=5 H=2.5				2.00
5	SS6121220TP	SCREW 3/16-28 L=11.5				1.00
6	11352200	KNIFE DRIVING				1.00
7	RC2651218KP	RETAINING RING				1.00
8	40112907	GROUND WIRE ASM				1.00
9	SS8110710SP	SCREW 11/64-40 L=6.5				1.00
10	11354602	COLLAR				1.00
11	11351608	KNIFE MOUNTING BASE				1.00
12	SS4110715SP	SCREW 11/64-40 L=7				2.00
13	NS6150430SP	NUT 15/64-28				1.00
14	SS1090510SP	SCREW 9/64-40 L=5				1.00
15	11352408	BASE PLATE				1.00
16	SS4150915SP	SCREW 15/64-28 L=9				2.00
17	11352309	KNIFE DRIVING SHAFT				1.00
18	RE0600000K0	E-RING 6				2.00
19	NS6110310SP	NUT 11/64-40				1.00
20	11352606	SLIDE ARM				1.00
21	11354404	DRIVING ROLLER				1.00
22	D2588L8WB00	ROLLER SHAFT				1.00
23	40009236	STOP SCREW				1.00
24	11352507	KNIFE DRIVING ARM				1.00
25	NS6150310SP	NUT 15/64-28				1.00
26	11353406	SPRING				1.00
27	SS8660610TP	SCREW 1/4-40 L=6				2.00
28	11353653	THREAD TRIMMER CAM ASM.				1.00
29	SS6660610TP	SCREW 1/4-40 L=6		*		2.00
30	11353604	THREAD TRIMMER CAM		*		1.00
31	11353505	SPRING				1.00
32	11353059	CLUTCH LEVER ASM.				1.00
33	SD0701511TP	HINGE SCREW D=7 H=15.1				1.00
34	SD0600361SP	HINGE SCREW D=6 H=3.6				1.00
35	NS6150430SP	NUT 15/64-28				1.00
36	WP0621016SH	WASHER				1.00
37	HK03464000B	PIN CONTACT				2.00
38	22950000	PICKER LINK PIN				1.00
39	11352903	CLUTCH PLATE				1.00
40	11354107	PICKER LINK				1.00
41	11352705	SCREW PIN A				1.00
42	SD0640261SP	HINGE SCREW D=3.65 H=2.6				1.00
43	11352804	SCREW PIN B				1.00
44	SD0630275SP	HINGE SCREW D=6.35 H=2.7				1.00
45	11354057	PICKER ARM ASM.				1.00
46	11354008	PICKER ARM		*		1.00
47	22950356	HOOK THREAD PRESSER ASM.		*		1.00
48	SS6090510TP	SCREW 9/64-40 L=5.0		*		2.00
49	SD0641452TP	HINGE SCREW D=6.35 H=14.5				1.00
50	22950950	CAM COLLAR ASM.				1.00

51	SS8110520TP	SCREW 11/64-40 L=4.5		*		1.00
52	22950901	CAM COLLAR		*		1.00
53	40231261	SOLENOID_UNIT_ROTATE				1.00
54	RE0500000K0	E-RING		*		1.00
55	22951008	SOLENOID PIN		*		1.00
56	SS6110710TP	SCREW 11/64-40 L=6.5		*		1.00
57	11353307	CLUTCH LINK		*		1.00
58	40110995	THREAD_TRIMMER_SOLENOID		*		1.00
59	22951404	SOLENOID BASE		*		1.00
60	WS0410002KR	SPRING WASHER, M4		*		2.00
61	NM6040001SE	NUT M4		*		2.00
62	SS4151215SP	SCREW 15/64-28 L=12				2.00
63	HK034610140	HOUSING 14P				1.00
64	40140306	CONNECTOR_COVER				1.00
65	B1432761000	SWING ARM STOPPER RUBBER				1.00



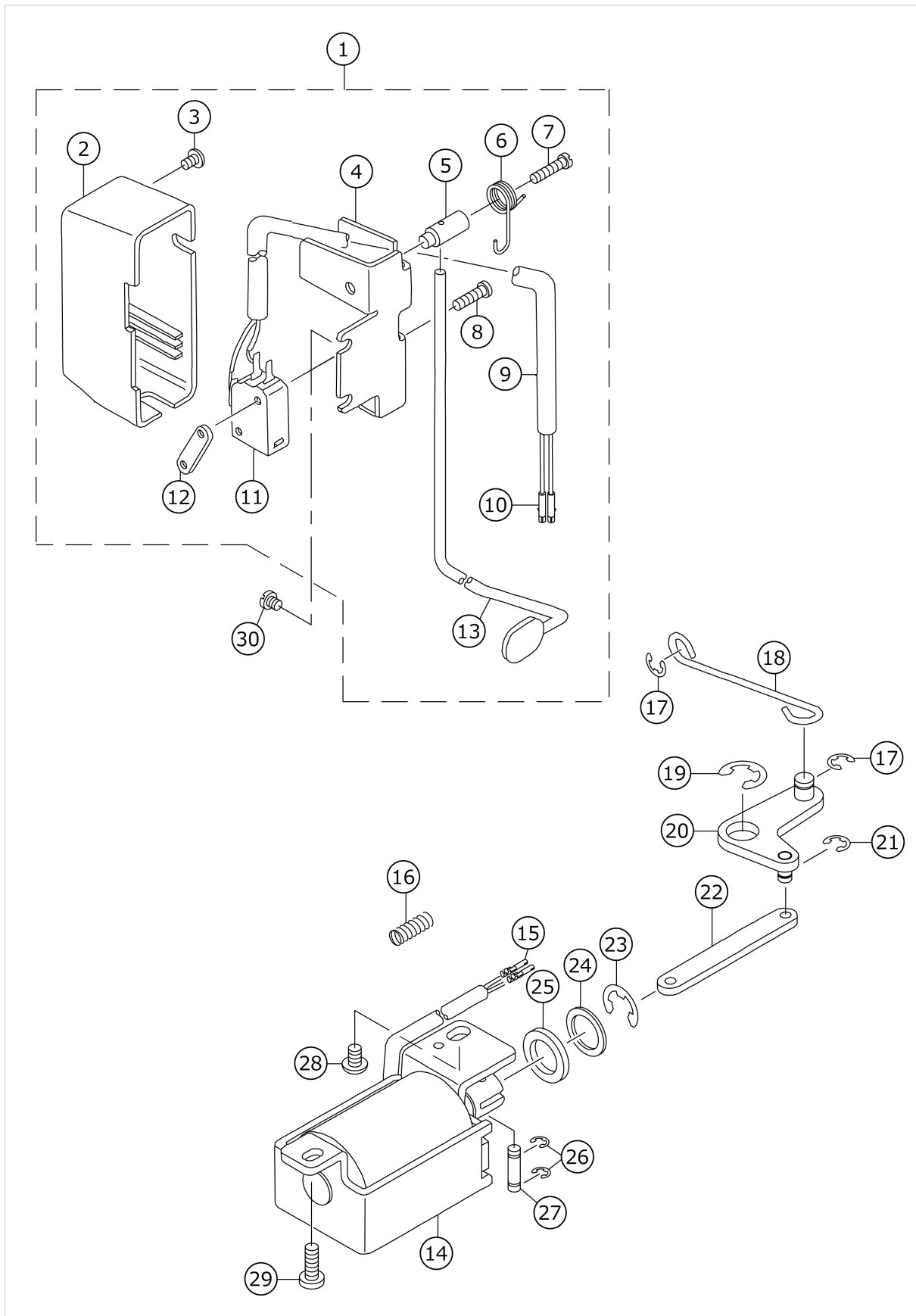
# KNIFE COMPONENTS



No.	品番	品名	備考	子部品	消耗品	個数
1	11356953	KNIFE ROD ASM.				1.00
2	SS7110830SP	SCREW 11/64-40 L=7.5		*		2.00
3	11357308	KNIFE DRIVING ROD A		*		1.00
4	11356904	KNIFE DRIVING ROD		*		1.00
5	11357506	KNIFE DRIVING LINK		*		1.00
6	11357209	PIN		*		2.00
7	SD0640604TP	HING SCREW D=6.35 H=6		*		1.00
8	11357001	ROD LINK SHAFT		*		1.00
9	SS7090520TP	SCREW 9/64-40 L=4.5		*		2.00
10	11357704	LINK SUPPORT ARM		*		1.00
11	SS6121220TP	SCREW 3/16-28 L=11.5		*		1.00
12	SS7110830SP	SCREW 11/64-40 L=7.5		*		1.00
13	11357100	KNIFE DRIVING ROD LINK		*		1.00
14	11357407	KNIFE DRIVING ROD B		*		1.00
15	NS6160520SP	NUT 1/4-24				1.00
16	B412352200A	NEEDLE BEARING	SELECTIVE PARTS			1.00
17	B412352200B	NEEDLE ROLLAR	SELECTIVE PARTS			1.00
18	B412352200C	NEEDLE ROLLAR	SELECTIVE PARTS			1.00
19	11358207	KNIFE LEVER				1.00
20	RE0500000K0	E-RING				1.00
21	SD0920321SP	HINGE SCREW D=9.20 H=3.2				1.00
22	11358108	KNIFE LEVER BASE				1.00
23	B4126530000	SPRING				1.00
24	SD0790431SP	HINGE SCREW D=7.94 H=4.3				1.00
25	11357803	KNIFE SET LEVER SHAFT				1.00
26	RO048190100	RUBBER RING				1.00
27	11357951	KNIFE SHIFTING BASE ASM.				1.00
28	SS6121220TP	SCREW 3/16-28 L=11.5		*		1.00
29	11357902	KNIFE SET LEVER BASE		*		1.00
30	B4124530000	SET LEVER PIN				1.00
31	11358306	KNIFE LEVER STOPPER				1.00
32	NS6150310SP	NUT 15/64-28				2.00
33	SS8152080SP	SCREW 15/64-28 L=19.5				2.00
34	SS4120915SP	SCREW 3/16-28 L=9				2.00
35	B41175300A0	KNIFE MOUNTING BASE ASM.				1.00
36	SS9121410TP	SCREW 3/16-28 L=14		*		1.00
37	NS6120310SP	NUT 3/16-28		*		1.00
38	SS6110810TP	SCREW 11/64-40 L=8		*		1.00
39	WP0371026SD	WASHER 3.7X7X1		*		1.00
40	SS6090910SP	SCREW 9/64-40 L=9		*		1.00
41	WP0501016SD	WASHER 5X10.5X1				1.00
42	NS6120480SP	NUT 3/16-28				1.00
43	B4121522000	KNIFE				1.00
44	B4122522000	WASHER				1.00
45	SS4080515SP	SCREW 1/8-44 L=5				2.00
46	B4120530000	KNIFE MOUNTING BASE GUIDE				1.00
47	WP0480856SP	WASHER 4.8X8.4X0.8				2.00

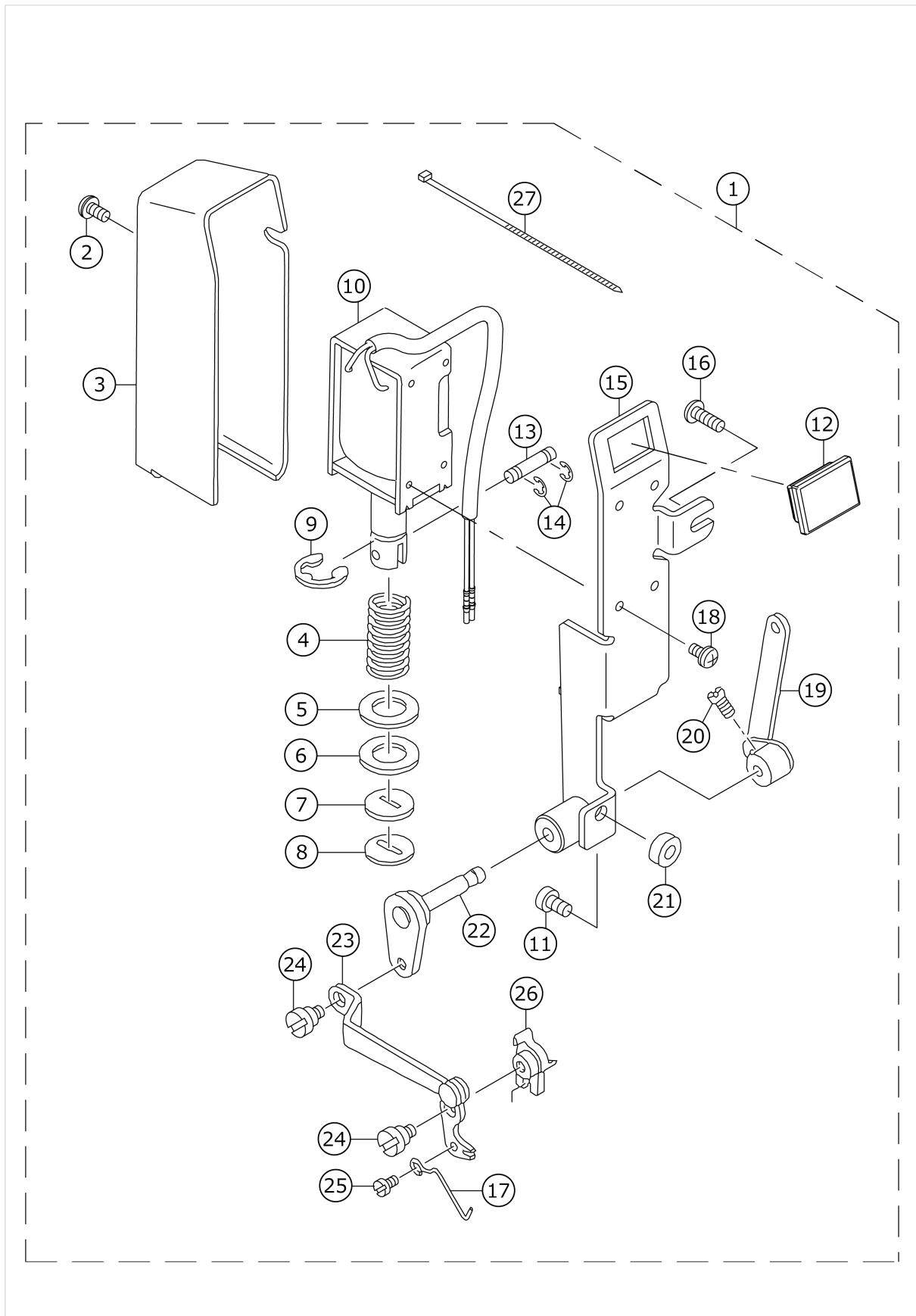
48	SS9121010TP	SCREW				2.00
49	SS6090810TP	SCREW 9/64-40 L=7.5				1.00
50	B4115530000	KNIFE DRIVING STUD CONNECTION				1.00
51	B4116530000	BUSHING				1.00
52	B4114530000	KNIFE DRIVING STUD				1.00
53	SS8151150TP	SCREW 15/64-28 L=10.5				1.00
54	B4132522000A	THRUST PLATE				1.00
55	SS4150915SP	SCREW 15/64-28 L=9				2.00

# AUTOMATIC REVERSE FEED COMPONENTS



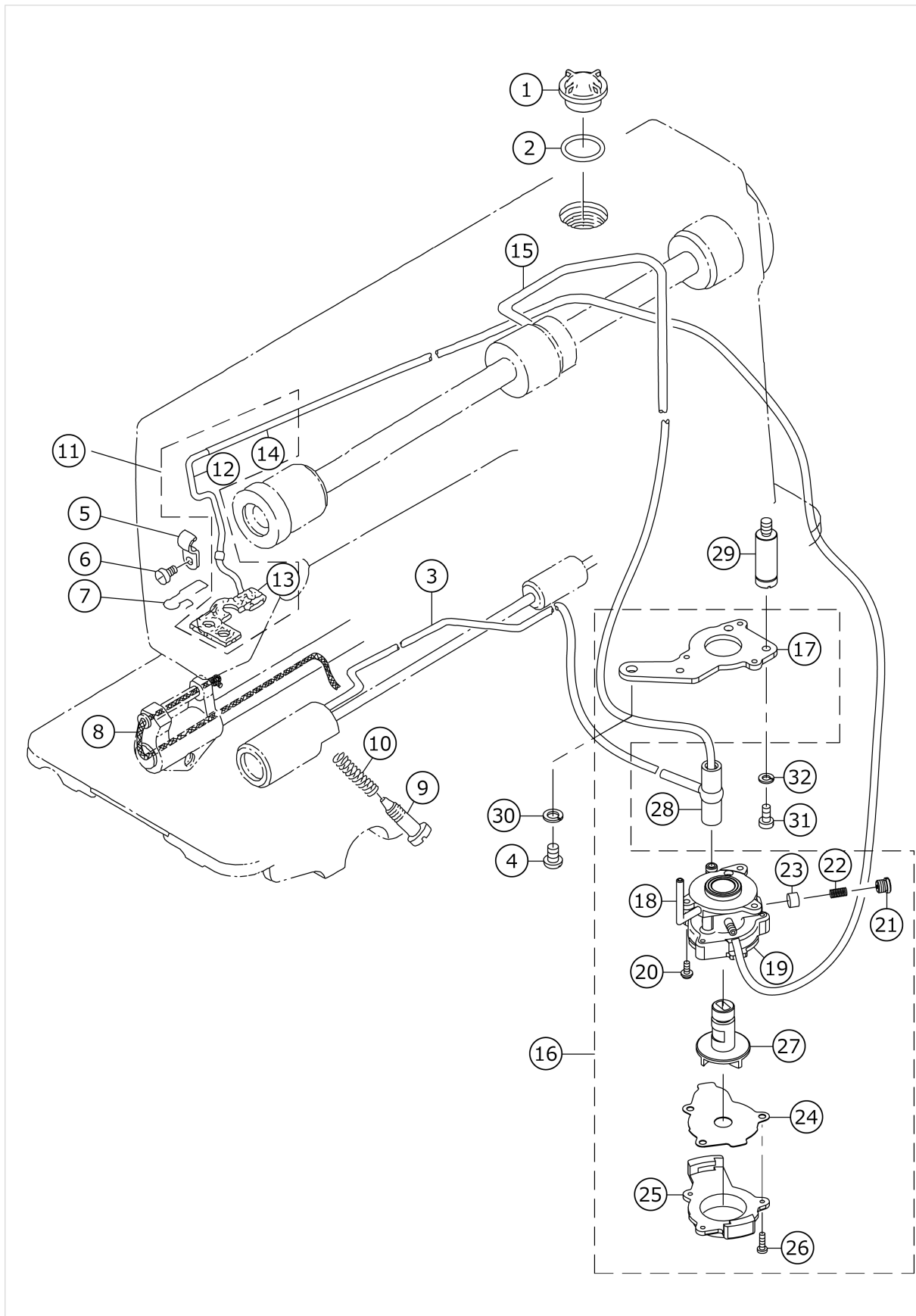
No.	品番	品名	備考	子部品	消耗品	個数
1	40230270	REVERSE FEED SWITCH ASM.				1.00
2	22954606	REVERSE FEED SWITCH COVER		*		1.00
3	SM4040655SP	SCREW M4 L=6		*		1.00
4	22954101	REVERSE FEED SWITCH BASE		*		1.00
5	22954200	REVERSE FEED SWITCH SHAFT		*		1.00
6	22954309	REVERSE FEED SWITCH SPRING		*		1.00
7	SM4041655SP	SCREW M4 L=16		*		1.00
8	SM4031501SC	SCREW M3 L=15		*		2.00
9	HW500070000	2-CORE CABTYRE CORD		*		0.57
10	HK03464000B	PIN CONTACT		*		2.00
11	HA001900000	MICROSWITCH		*		1.00
12	22954408	STOPPER PLATE		*		1.00
13	11364700	REVERSE FEED SWITCH LEVER		*		1.00
14	40130594	REVERSE_FEED_SOLENOID				1.00
15	HK03464000B	PIN CONTACT				2.00
16	11217601	WALKING FOOT SPRING				1.00
17	RE0500000KP	E-RING 5				2.00
18	11101300	REVERSE FEED CONNECTING SHAFT				1.00
19	RE0900000K0	E-RING 9				1.00
20	22953657	AUTO-BACK ARM ASM.				1.00
21	RE0400000KP	E-RING 4				1.00
22	22953905	CONNECTING LINK				1.00
23	RE1200000K0	E-RING 12				1.00
24	WP1602616SZ	WASHER 16X24X2.6				1.00
25	D2468555B00	RUBBER PLUNGER				1.00
26	RE0400000K0	E-RING 4				2.00
27	22953509	REVERSE FEED PLUNGER ARM PIN				1.00
28	SS4150915SP	SCREW 15/64-28 L=9				1.00
29	SS4151215SP	SCREW 15/64-28 L=12				1.00
30	SS4120915SP	SCREW 3/16-28 L=9				1.00

# WIPER COMPONENTS



No.	品番	品名	備考	子部品	消耗品	個数
1	40230273	WIPER ASM.				1.00
2	SL4030631SC	SCREW M3X6		*		1.00
3	11258001	WIPER COVER		*		1.00
4	11233400	SPRING		*		1.00
5	WP1221016SP	WASHER		*		1.00
6	11234408	SOLENOID RUBBER		*		1.00
7	11233301	STOPPER RUBBER		*		1.00
8	11234606	STOPPER RUBBER WASHER		*		1.00
9	RE0900000K0	E-RING 9		*		1.00
10	40230538	WIPER_SOLENOID_ASM.		*		1.00
11	SS4121415SP	SCREW 3/16-28 L=14		*		1.00
12	40086678	WIPER_SW_RUBBER		*		1.00
13	11234507	PLUNGER CONNECTING PIN		*		1.00
14	RE0300000K0	E-RING 3		*		2.00
15	11233053	WIPER INSTALLING BASE ASM.		*		1.00
16	SS4120915SP	SCREW 3/16-28 L=9		*		1.00
17	11359700	WIPER		*		1.00
18	SL4030641SE	SCREW		*		4.00
19	11233251	WIPER LEVER B ASM.		*		1.00
20	SS6110710TP	SCREW 11/64-40 L=6.5		*		2.00
21	26228601	ROLLER		*		1.00
22	11360153	WIPER LEVER ASM. A		*		1.00
23	11359957	WIPER ARM ASM.		*		1.00
24	SD0550212TP	HINGE SCREW D=5.5 H=2.1		*		2.00
25	SS7090410SP	SCREW 9/64-40 L=3.5		*		1.00
26	11359809	WIPER BASE		*		1.00
27	HX000430000	CLIP		*		1.00

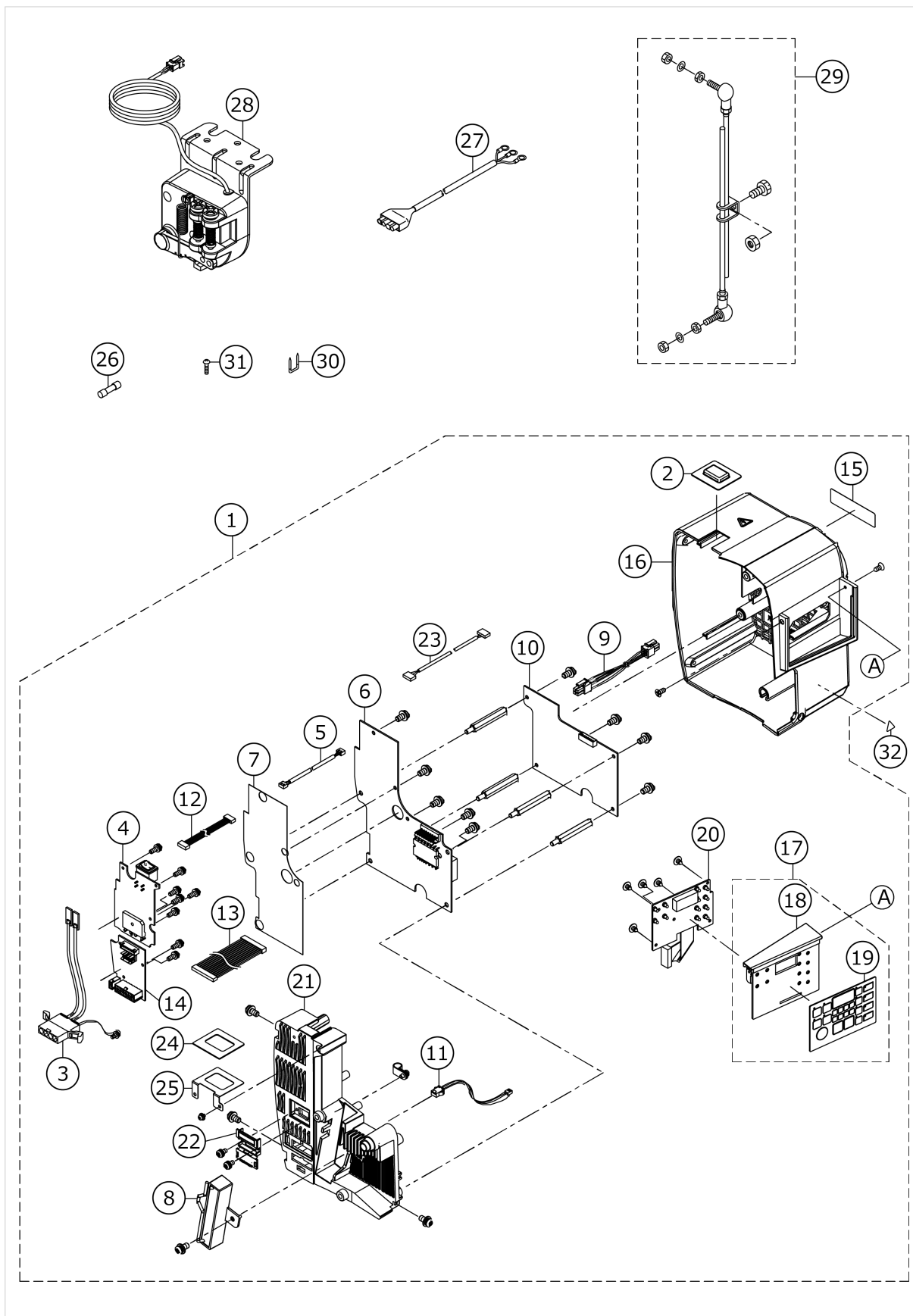
# OIL LUBRICATION COMPONENTS





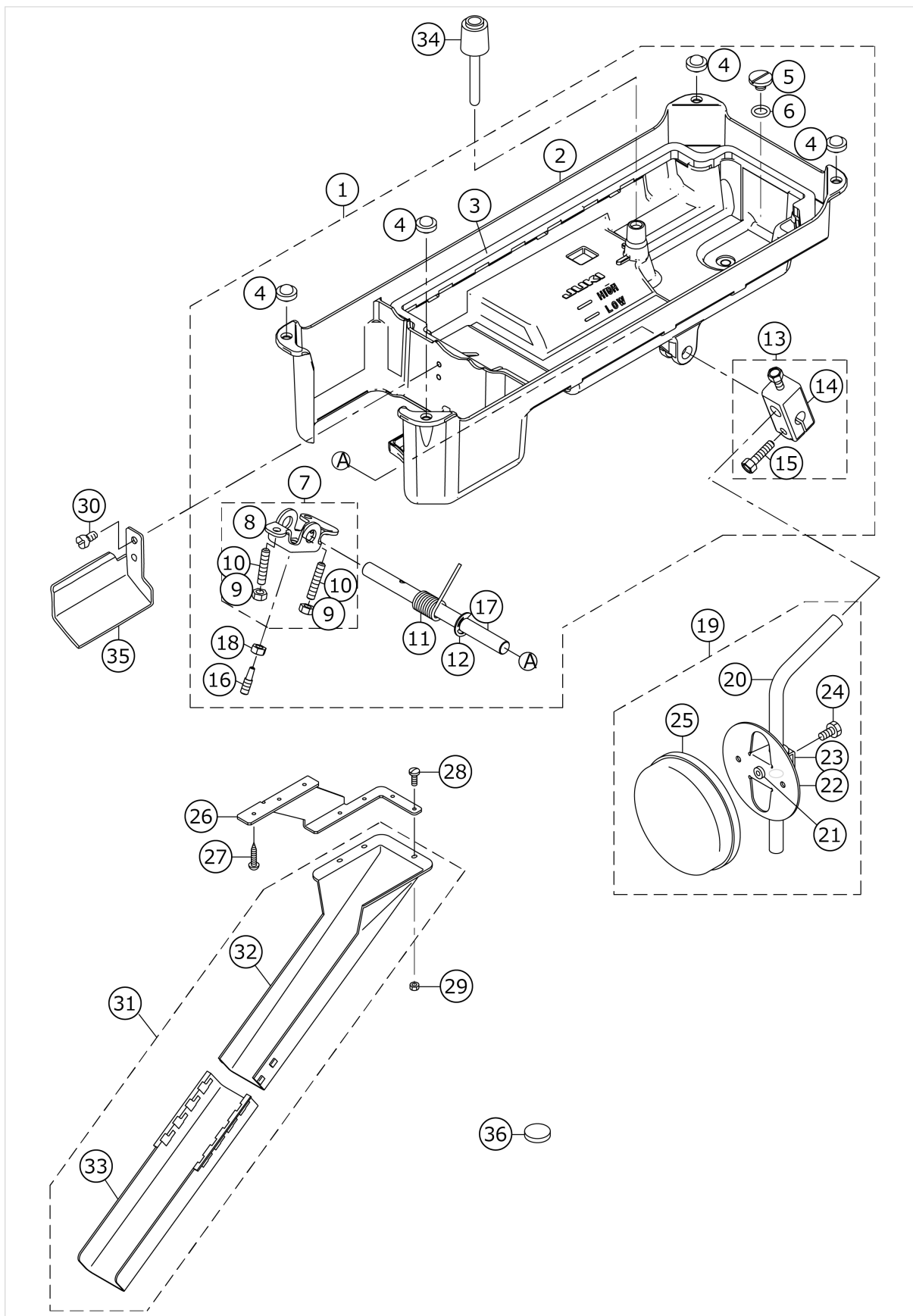
No.	品番	品名	備考	子部品	消耗品	個数
1	22924708	OIL SIGHT WINDOW				1.00
2	RO195240100	O-RING				1.00
3	22924500	HOOK OIL TUBE				1.00
4	SS4150915SP	SCREW 15/64-28 L=9				1.00
5	B3538112000	OIL RETURN TUBE HOLDER				1.00
6	SS4120615SP	SCREW 3/16-28 L=6				1.00
7	11356201	OIL FELT PRESSER				1.00
8	CQ252000000	OIL WICK				0.30
9	22925002	OIL REGULATOR SCREW				1.00
10	40156260	OIL REGULATOR SCREW SPRING				1.00
11	11355955	OIL RETURN TUBE ASM.				1.00
12	11355906	OIL RETURN TUBE		*		1.00
13	11356052	OIL FELT ASM.		*		1.00
14	BT0500300EA	OIL TUBE		*		0.52
15	22924401	MAIN SHAFT OIL TUBE				1.00
16	22923056	OIL PUMP ASM.				1.00
17	22923312	PUMP BODY INSTALLING PLATE		*		1.00
18	22923908	HOOK DRIVING SHAFT OILING PIPE		*		1.00
19	22923015	PUMP BODY		*		1.00
20	SL4030851SF	SCREW M3 L=8		*		3.00
21	22923502	PLUNGER SCREW		*		1.00
22	22923601	PLUNGER SPRING		*		1.00
23	22923403	PLUNGER		*		1.00
24	22923809	PUMP BODY SUPPORT PLATE		*		1.00
25	22923205	PUMP BODY COVER		*		1.00
26	SE4301041SR	SCREW D=3 L=10		*		3.00
27	22923700	IMPELLER		*		1.00
28	22924609	RUBBER JOINT				1.00
29	22947105	PUMP BODY STRUT				1.00
30	WS0651310KP	SPRING WASHER 6.5X11X1.3				1.00
31	SS6111010TP	SCREW 11/64-40 L=9.5				1.00
32	WS0451040KP	SPRING WASHER 4.5X8.5X1				1.00

# PSC UNIT



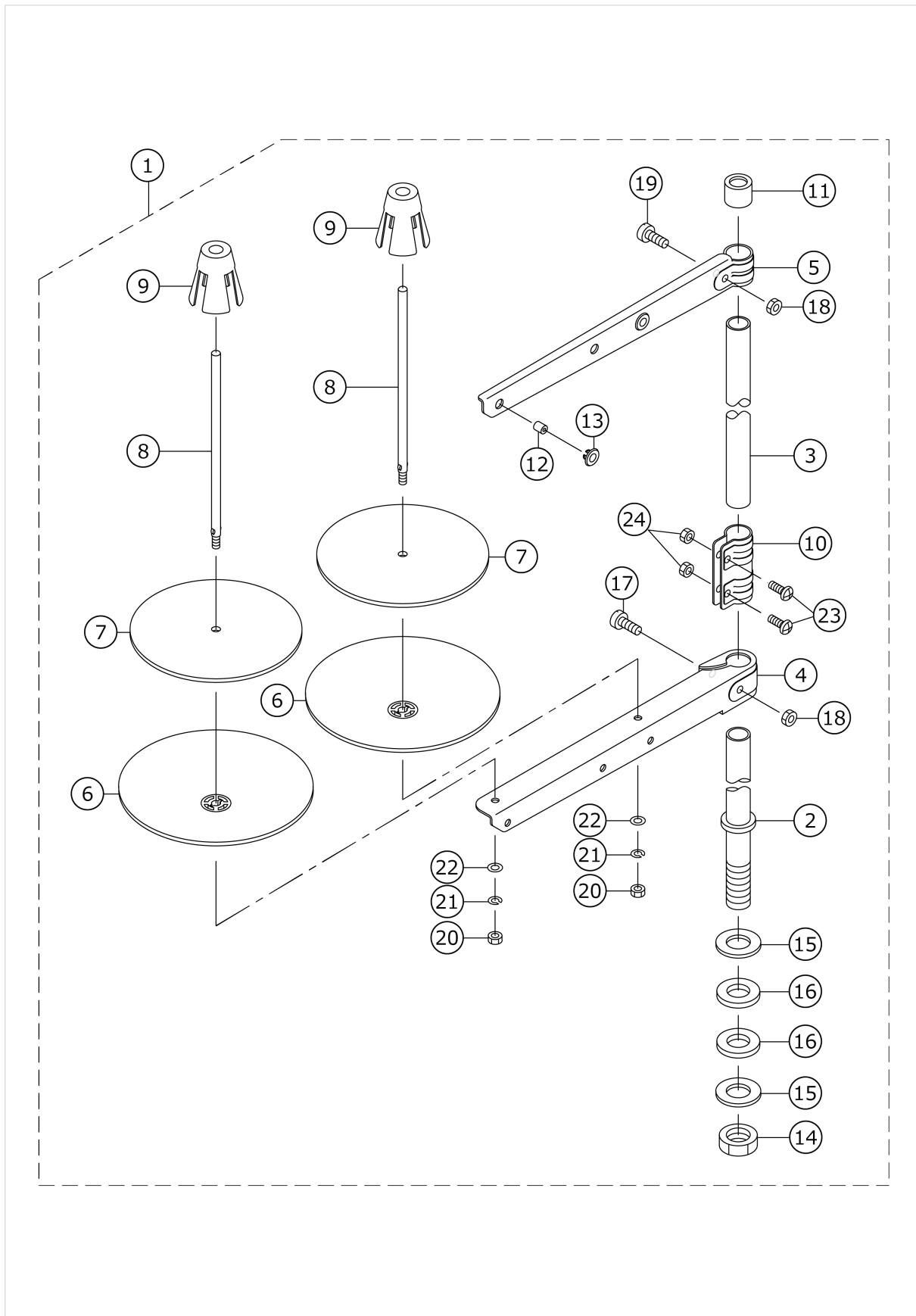
No.	品番	品名	備考	子部品	消耗品	個数
1	40230601	CONTROL_BOX				1.00
2	40183785	SWITCH_DUSTPROOF_COVER_ASSY		*		1.00
3	40141200	AC INPUT CORD ASSY		*		1.00
4	40141201	FLT PCB ASSY		*		1.00
5	40141203	INPUT CHECK CORD ASSY		*		1.00
6	40141204	PWR PCB ASSY		*		1.00
7	40141205	PWR PCB FILM SHEET		*		1.00
8	40141206	RESISTANCE_A_ASSY		*		1.00
9	40141207	DC POWER SUPPLY CORD ASSY		*		1.00
10	40141208	CTL PCB ASSY		*		1.00
11	40141209	PEDAL CORD ASSY		*		1.00
12	40141210	SOL POWER CORD ASSY		*		1.00
13	40141211	SOL SIGNAL CORD ASSY		*		1.00
14	40141212	SOL PCB ASSY		*		1.00
15	40230602	RATING_LABEL_DRAWING		*		1.00
16	40141217	PSC COVER		*		1.00
17	40141214	PANEL COVER ASSY		*		1.00
18	40141215	PANEL COVER		*		1.00
19	40141216	MEMBRANE SWITCH		*		1.00
20	40141213	PNL PCB ASSY		*		1.00
21	40231244	FRAME		*		1.00
22	40157011	CONNECTOR COVER		*		1.00
23	40145540	PRT CORD ASSY		*		1.00
24	40236675	COVER_PLATE_ASM.		*		1.00
25	40230599	DUSTPROOF_COVER_PLATE_ASSY		*		1.00
26	40141227	SLO-BLO FUSE				1.00
27	40141220	AC POWER CORD ASSY				1.00
28	40141219	PEDAL_SENSOR_A_ASSY				1.00
29	40042134	CONNECING_ROD_ASSY				1.00
30	40141223	CORD STAPLE				3.00
31	40141224	SCREW				3.00
32	CM300200001	FINGER INJURY CAUTION LABLE (16)				1.00

# OIL RESERVOIR COMPONENTS








No.	品番	品名	備考	子部品	消耗品	個数
1	40230275	OIL_RESERVER_ASM				1.00
2	40183723	OIL_RESERVOIR		*		1.00
3	22931901	OIL RESERVOIR GASKET		*		1.00
4	B1116210D00	FRAME SUPPORT RUBBER		*		4.00
5	SS6700710SH	SCREW 5/16-24 L=7		*		1.00
6	RO098240100	RUBBER RING		*		1.00
7	40163582	KNEE LIFTER ROTATION ARM ASM.		*		1.00
8	40163583	KNEE LIFTING ROTATING ARM		*		1.00
9	NM6060001SE	NUT M6		*		2.00
10	SM8063012TR	SCREW M6 L=30		*		2.00
11	40163584	SPRING		*		1.00
12	RE1000000K0	E-RING 10		*		1.00
13	40163588	BRACKET ASM.		*		1.00
14	40163589	BRACKET		*		1.00
15	40163590	SCREW		*		2.00
16	40163591	SCREW_M6		*		1.00
17	40163585	KNEE_PRESS_CROSS_SHAFT		*		1.00
18	NM6060001SE	NUT M6		*		1.00
19	22934251	KNEE PAD PLATE ASM.				1.00
20	22934608	KNEE PAD UPRIGHT SHAFT		*		1.00
21	22934400	KNEE PAD PLATE RUBBER		*		1.00
22	22934202	KNEE PAD PLATE		*		1.00
23	22934301	KNEE PAD PLATE SUPPORT		*		1.00
24	SM9061203SE	SCREW M6 L=12		*		1.00
25	22934509	KNEE PAD PLATE COVER		*		1.00
26	40101287	WASTE MATERIAL CHUTE HOLDER				1.00
27	SK3412000SC	WOOD SCREW D=4.1 L=20				3.00
28	SS7091110TP	SCREW 9/64-40 L=10.5				3.00
29	NS6090310SP	NUT 9/64-40				3.00
30	SS4110715SP	SCREW 11/64-40 L=7				2.00
31	40056521	WASTE MATERIAL CHUTE HOLDER ASM.				1.00
32	40053719	CLOTH WASTE CHUTE UPPER		*		1.00
33	12341806	CLOTH WASTE CHUTE		*		1.00
34	22931703	KNEE LIFTER PUSH ROD				1.00
35	11361003	OIL PUSH GUIDE				1.00
36	B8228125000	OIL RESERVOIR MAGNET				1.00

# THREAD STAND COMPONENTS



No.	品番	品名	備考	子部品	消耗品	個数
1	40096354	THREAD_STAND_ASM.				1.00
2	40085784	SPOOL_REST_ROD_(LOWER)		*		1.00
3	40085785	SPOOL_REST_ROD_(UPPER)		*		1.00
4	40085786	SPOOL_REST_ARM_(LOWER)		*		1.00
5	40085787	SPOOL_REST_ARM_(UPPER)		*		1.00
6	40085788	SPOOL_REST		*		2.00
7	40085789	SPOOL_REST_CUSHION		*		2.00
8	40085790	SPOOL_PIN		*		2.00
9	40085791	SPOOL_RETAINER		*		2.00
10	40085792	SPOOL_REST_ROD_JOINT		*		1.00
11	40085793	SPOOL_REST_ROD_RUBBER_CAP		*		1.00
12	40085794	THREAD_GUIDE		*		2.00
13	40085795	THREAD_GUIDE_BUSHING		*		2.00
14	40096325	SPOOL_REST_ROD_NUT		*		1.00
15	WP1612616SE	WASHER_16X30X2.6		*		2.00
16	40085796	SPOOL_REST_ROD_RUBBER_CUSHION		*		2.00
17	40096326	SPOOL_REST_ARM_LOWER_SCREW		*		1.00
18	NM6050001SE	NUT_M5		*		2.00
19	40096327	SPOOL_REST_ARM_UPPER_SCREW		*		1.00
20	NM6050001SE	NUT_M5		*		2.00
21	WS0510002KN	SPRING_WASHER_M5		*		2.00
22	WP0531001SC	WASHER_M5		*		2.00
23	SM4051405SE	SCREW_M5_L=14		*		2.00
24	NM6050001SE	NUT_M5		*		2.00

# TABLE OF EXCHANGING GAUGE PARTS (1)

Specifications of the sub-gauge	Gauge width	Throat plate 針板		Throat plate cover (asm) accessory 針板蓋 (組) *付属品		Gauge ゲージ		Throat plate chip guard 針板屑カバ		Throat plate chip guard accessory 針板屑カバガイド *付属品	
		No.	Part No.	No.	Part No.	No.	Part No.	No.	Part No.	No.	Part No.
サブゲージ仕様	サブゲージ巾										
CA	5/64" (2.0mm)	①	113-46004	⑱	B1115-531-0AD	⑳	B1190-522-Y0A	㉑	113-46905	㉒	113-47002
C	3/32" (2.4mm)	②	113-46004	㉓	B1115-531-0AD	㉔	B1190-522-X00	㉕	113-46905	㉖	113-47002
CB	3/32" (2.4mm)	③	113-46004	㉗	B1115-531-0AD	㉘	B1190-522-X0B	㉙	113-46905	㉚	113-47002
D	1/8" (3.2mm)	④	113-46004	㉛	B1115-531-0AD	㉜	B1190-522-S00	㉝	113-46905	㉞	113-47002
E	5/32" (4.0mm)	⑤	113-46004	㉟	B1115-531-0AD	㊱	B1190-522-Y00	㊲	113-46905	㊳	113-47002
EA	5/32" (4.0mm)	⑥	113-46004	㊴	B1115-531-0AD	㊵	113-62753	㊶	113-46905	㊷	113-47002
EB	5/32" (4.0mm)	⑦	113-46004	㊸	B1115-531-0AD	㊹	B1190-522-Y0R	㊺	113-46905	㊻	113-47002
F	3/16" (4.8mm)	⑧	113-46004	㊼	B1115-530-0AF	㊽	B1190-522-T00	㊾	113-46905	㊿	113-47002
FA	3/16" (4.8mm)	⑨	113-46004	㊿	B1115-530-0AF	㋀	B1190-522-T0A	㋁	113-46905	㋂	113-47002
FB	3/16" (4.8mm)	⑩	113-46004	㋁	B1115-530-0AF	㋂	B1190-522-Y0C	㋃	113-46905	㋄	113-47002
FC	3/16" (4.8mm)	⑪	113-46004	㋂	B1115-530-0AF	㋃	B1190-522-T0D	㋄	113-46905	㋅	113-47002
G	27/128" (5.3mm)	⑫	113-46004	㋄	B1115-530-0AF	㋅	B1190-522-Y0F	㋆	113-47101	㋇	113-47002
H	1/4" (6.4mm)	⑬	113-46004	㋆	B1115-530-0AF	㋇	B1190-522-U00	㋈	113-47101	㋉	113-47002
HA	1/4" (6.4mm)	⑭	113-46301	㋈	B1115-530-0AF	㋉	B1190-522-U0A-A	㋊	113-47101	㋋	113-47002
K	5/16" (7.9mm)	⑮	113-46004	㋊	B1115-530-0AF	㋋	B1190-522-Y0B	㋌	113-47101	㋍	113-47002
M	3/8" (9.5mm)	⑯	113-46004	㋌	B1115-530-0AM	㋍	B1190-522-V00	㋎	113-47309	㋏	113-47408
MA	3/8" (9.5mm)	⑰	113-46004	㋍	B1115-530-0AM	㋎	B1190-522-V0A	㋐	113-47309	㋑	113-47408
P	7/16" (11.1mm)	⑱	113-46004	㋎	B1115-530-0AM	㋏	B1190-522-Y0M	㋒	113-47309	㋓	113-47408





Specifications of the sub-gauge	Gauge width	Type 仕様	Note	備考
サブゲージ仕様	サブゲージ巾			
CA	5/64" (2.0mm)	Spare parts type 補用パーツ仕様	Cut-after knife type	後メスタイプ
C	3/32" (2.4mm)	Special type 特別仕様		
CB	3/32" (2.4mm)	Spare parts type 補用パーツ仕様	As compared with B1190522X00, the grooves of the feed dog are 3 rows instead of 2 rows.	B1190522X00に対し、送り溝を2列→3列にしたもの
D	1/8" (3.2mm)	Standard type 標準仕様		
E	5/32" (4.0mm)	Special type 特別仕様		
EA	5/32" (4.0mm)	Spare parts type 補用パーツ仕様	For pattern seamer	パターンシーマ用
EB	5/32" (4.0mm)	Spare parts type 補用パーツ仕様	As compared with B1190522X00, the grooves of the feed dog are 3 rows instead of 2 rows.	B1190522X00に対し、送り溝を2列→3列にしたもの
F	3/16" (4.8mm)	Special type 特別仕様		
FA	3/16" (4.8mm)	Spare parts type 補用パーツ仕様	Cut-before knife type	前メスタイプ
FB	3/16" (4.8mm)	Spare parts type 補用パーツ仕様	As compared with B1190522T00, the needle hole of which diameter is set to $\varnothing 1.9$ to 1.2mm.	B1190522T00に対し針穴径を $\varnothing 1.9 \rightarrow 1.2$ mmにしたもの
FC	3/16" (4.8mm)	Special type 特別仕様	As compared with B1190522X00, the grooves of the feed dog are 3 rows instead of 2 rows.	B1190522X00に対し、送り溝を2列→3列にしたもの
G	27/128" (5.3mm)	Spare parts type 補用パーツ仕様		
H	1/4" (6.4mm)	Special type 特別仕様		
HA	1/4" (6.4mm)	Spare parts type 補用パーツ仕様	For preventing material from being caught by the 4-teeth food dog	4枚歯布ずまり防止用
K	5/16" (7.9mm)	Spare parts type 補用パーツ仕様		
M	3/8" (9.5mm)	Special type 特別仕様		
MA	3/8" (9.5mm)	Spare parts type 補用パーツ仕様	As compared with B1190522V00, the feed amount of the feed dog is reduced.	B1190522V00に対して送り溝長さを短縮
P	7/16" (11.1mm)	Spare parts type 補用パーツ仕様		



No.	品番	品名	備考	子部品	消耗品	個数
1	11346004	NEEDLE PLATE A				1.00
2	11346004	NEEDLE PLATE A				1.00
3	11346004	NEEDLE PLATE A				1.00
4	11346004	NEEDLE PLATE A				1.00
5	11346004	NEEDLE PLATE A				1.00
6	11346004	NEEDLE PLATE A				1.00
7	11346004	NEEDLE PLATE A				1.00
8	11346004	NEEDLE PLATE A				1.00
9	11346004	NEEDLE PLATE A				1.00
10	11346004	NEEDLE PLATE A				1.00
11	11346004	NEEDLE PLATE A				1.00
12	11346004	NEEDLE PLATE A				1.00
13	11346004	NEEDLE PLATE A				1.00
14	11346301	THROAT PLATE E				1.00
15	11346004	NEEDLE PLATE A				1.00
16	11346004	NEEDLE PLATE A				1.00
17	11346004	NEEDLE PLATE A				1.00
18	11346004	NEEDLE PLATE A				1.00
19	B11155310AD	THROAT PLATE COVER ASM.				1.00
20	B11155310AD	THROAT PLATE COVER ASM.				1.00
21	B11155310AD	THROAT PLATE COVER ASM.				1.00
22	B11155310AD	THROAT PLATE COVER ASM.				1.00
23	B11155310AD	THROAT PLATE COVER ASM.				1.00
24	B11155310AD	THROAT PLATE COVER ASM.				1.00
25	B11155310AD	THROAT PLATE COVER ASM.				1.00
26	B11155300AF	THROAT PLATE OPEN COVER				1.00
27	B11155300AF	THROAT PLATE OPEN COVER				1.00
28	B11155300AF	THROAT PLATE OPEN COVER				1.00
29	B11155300AF	THROAT PLATE OPEN COVER				1.00
30	B11155300AF	THROAT PLATE OPEN COVER				1.00
31	B11155300AF	THROAT PLATE OPEN COVER				1.00
32	B11155300AF	THROAT PLATE OPEN COVER				1.00
33	B11155300AF	THROAT PLATE OPEN COVER				1.00
34	B11155300AM	THROAT PLATE PLUG ASM. M				1.00
35	B11155300AM	THROAT PLATE PLUG ASM. M				1.00
36	B11155300AM	THROAT PLATE PLUG ASM. M				1.00
37	B1190522Y0A	GAUGE PLATE 5/64				1.00
38	B1190522X00	GAUGE PLATE 3/32 (X)				1.00
39	B1190522X0B	GAUGE 3/32XB				1.00
40	B1190522S00	GAUGE PLATE 1/8 S				1.00
41	B1190522Y00	GAUGE PLATE 5/32 (Y)				1.00
42	11362753	GAUGE ASM. 5/32 E				1.00
43	B1190522Y0R	GAUGE 5/32YR				1.00
44	B1190522T00	GAUGE PLATE 3/16 (T)				1.00
45	B1190522T0A	GAUGE PLATE 3/16 (TA)				1.00
46	B1190522Y0C	GAUGE 3/16 (NEEDLE HOLE 1.2)				1.00
47	B1190522T0D	GAUGE 3/16TD				1.00
48	B1190522Y0F	GAUGE 27/128				1.00
49	B1190522U00	GAUGE PLATE 1/4 (U)				1.00
50	B1190522U0AA	GAUGE 1/4UA				1.00

51	B1190522Y0B	GAUGE				1.00
52	B1190522V00	GAUGE PLATE 3/8 (V)				1.00
53	B1190522V0A	FEED VA				1.00
54	B1190522Y0M	GAUGE				1.00
55	11346905	WASTE MATERIAL GUARD E				1.00
56	11346905	WASTE MATERIAL GUARD E				1.00
57	11346905	WASTE MATERIAL GUARD E				1.00
58	11346905	WASTE MATERIAL GUARD E				1.00
59	11346905	WASTE MATERIAL GUARD E				1.00
60	11346905	WASTE MATERIAL GUARD E				1.00
61	11346905	WASTE MATERIAL GUARD E				1.00
62	11346905	WASTE MATERIAL GUARD E				1.00
63	11346905	WASTE MATERIAL GUARD E				1.00
64	11346905	WASTE MATERIAL GUARD E				1.00
65	11346905	WASTE MATERIAL GUARD E				1.00
66	11347101	WASTE MATERIAL GUARD G				1.00
67	11347101	WASTE MATERIAL GUARD G				1.00
68	11347101	WASTE MATERIAL GUARD G				1.00
69	11347101	WASTE MATERIAL GUARD G				1.00
70	11347309	WASTE MATERIAL GUARD K				1.00
71	11347309	WASTE MATERIAL GUARD K				1.00
72	11347309	WASTE MATERIAL GUARD K				1.00
73	11347002	WASTE MATERIAL GUARD E				1.00
74	11347002	WASTE MATERIAL GUARD E				1.00
75	11347002	WASTE MATERIAL GUARD E				1.00
76	11347002	WASTE MATERIAL GUARD E				1.00
77	11347002	WASTE MATERIAL GUARD E				1.00
78	11347002	WASTE MATERIAL GUARD E				1.00
79	11347002	WASTE MATERIAL GUARD E				1.00
80	11347002	WASTE MATERIAL GUARD E				1.00
81	11347002	WASTE MATERIAL GUARD E				1.00
82	11347002	WASTE MATERIAL GUARD E				1.00
83	11347002	WASTE MATERIAL GUARD E				1.00
84	11347200	WASTE MATERIAL GUARD G				1.00
85	11347200	WASTE MATERIAL GUARD G				1.00
86	11347200	WASTE MATERIAL GUARD G				1.00
87	11347200	WASTE MATERIAL GUARD G				1.00
88	11347408	WASTE MATERIAL GUARD K				1.00
89	11347408	WASTE MATERIAL GUARD K				1.00
90	11347408	WASTE MATERIAL GUARD K				1.00

# TABLE OF EXCHANGING GAUGE PARTS (2)

Specifications of the sub-gauge サブゲージ仕様	Gauge width サブゲージ巾	Chip guard 布屑ガイド		Hinging presser (asm) 自由押え(組)		Feed dog 送り歯		Knife メス	
									
		No.	Part No.	No.	Part No.	No.	Part No.	No.	Part No.
CA	5/64" (2.0mm)	①	113-46400	⑱	B1524-530-CB0	⑳	B1613-522-N00-A	㉕	B4145-530-C00
C	3/32" (2.4mm)	②	113-46400	⑳	B1524-530-CB0	㉑	B1613-522-N00-A	㉖	B4121-522-000
CB	3/32" (2.4mm)	③	113-46400	㉑	B1524-530-CB0	㉒	B1613-522-N0C	㉗	B4121-522-000
D	1/8" (3.2mm)	④	113-46400	㉒	B1524-530-CB0	㉓	B1613-522-N00-A	㉘	B4121-522-000
E	5/32" (4.0mm)	⑤	113-46400	㉓	B1524-530-EB0	㉔	B1613-522-N00-A	㉙	B4121-522-000
EA	5/32" (4.0mm)	⑥	113-46400	㉔	B1524-530-EB0	㉕	B1613-522-N00-A	㉚	B4121-522-000
EB	5/32" (4.0mm)	⑦	113-46400	㉕	B1524-530-EB0	㉖	B1613-522-N0D	㉛	B4121-522-000
F	3/16" (4.8mm)	⑧	113-46400	㉖	B1524-530-EB0	㉗	B1613-522-N00-A	㉜	B4121-522-000
FA	3/16" (4.8mm)	⑨	113-46400	㉗	B1524-530-EB0	㉘	B1613-522-N00-A	㉝	B4121-522-A00
FB	3/16" (4.8mm)	⑩	113-46400	㉘	B1524-530-EB0	㉙	B1613-522-N00-A	㉞	B4121-522-000
FC	3/16" (4.8mm)	⑪	113-46400	㉙	B1524-530-EB0	㉚	B1613-522-N0D	㉟	B4121-522-000
G	27/128" (5.3mm)	⑫	113-46400	⑳	B1524-530-GB0	㉛	B1613-522-N00-A	㊱	B4121-522-000
H	1/4" (6.4mm)	⑬	113-46509	㉑	B1524-530-GB0	㉜	B1613-522W-00A	㊲	B4121-522-000
HA	1/4" (6.4mm)	⑭	113-46509	㉒	B1524-530-GB0	㉝	B1613-522-A0A-A	㊳	B4121-522-000
K	5/16" (7.9mm)	⑮	113-46509	㉓	B1524-530-GB0	㉞	B1613-522W-00A	㊴	B4121-522-000
M	3/8" (9.5mm)	⑯	113-46509	㉔	B1524-530-GB0	㉟	B1613-522W-00A	㊵	B4121-522-000
MA	3/8" (9.5mm)	⑰	113-46509	㉕	B1524-530-GB0	㊱	B1613-522-B00	㊶	B4121-522-000
P	7/16" (11.1mm)	⑱	113-46608	㉖	B1524-530-GB0	㊲	B1613-522-W00-A	㊷	B4121-522-000

Specifications of the sub-gauge サブゲージ仕様	Gauge width サブゲージ巾	Type 仕様	Note	備考
CA	5/64" (2.0mm)	Spare parts type 補用パーツ仕様	Cut-after knife type	後メスタイプ
C	3/32" (2.4mm)	Special type 特別仕様		
CB	3/32" (2.4mm)	Spare parts type 補用パーツ仕様	As compared with B1190522X00, the grooves of the feed dog are 3 rows instead of 2 rows.	B1190522X00に対し、送り溝を2列→3列にしたもの
D	1/8" (3.2mm)	Standard type 標準仕様		
E	5/32" (4.0mm)	Special type 特別仕様		
EA	5/32" (4.0mm)	Spare parts type 補用パーツ仕様	For pattern seamer	パターンシーマ用
EB	5/32" (4.0mm)	Spare parts type 補用パーツ仕様	As compared with B1190522X00, the grooves of the feed dog are 3 rows instead of 2 rows.	B1190522X00に対し、送り溝を2列→3列にしたもの
F	3/16" (4.8mm)	Special type 特別仕様		
FA	3/16" (4.8mm)	Spare parts type 補用パーツ仕様	Cut-before knife type	前メスタイプ
FB	3/16" (4.8mm)	Spare parts type 補用パーツ仕様	As compared with B1190522T00, the needle hole of which diameter is set to $\phi 1.9 \rightarrow 1.2$ mm.	B1190522T00に対し針穴径を $\phi 1.9 \rightarrow 1.2$ mmにしたもの
FC	3/16" (4.8mm)	Special type 特別仕様	As compared with B1190522X00, the grooves of the feed dog are 3 rows instead of 2 rows.	B1190522X00に対し、送り溝を2列→3列にしたもの
G	27/128" (5.3mm)	Spare parts type 補用パーツ仕様		
H	1/4" (6.4mm)	Special type 特別仕様		
HA	1/4" (6.4mm)	Spare parts type 補用パーツ仕様	For preventing material from being caught by the 4-teeth food dog	4枚歯布ずまり防止用
K	5/16" (7.9mm)	Spare parts type 補用パーツ仕様		
M	3/8" (9.5mm)	Special type 特別仕様		
MA	3/8" (9.5mm)	Spare parts type 補用パーツ仕様	As compared with B1190522V00, the feed amount of the feed dog is reduced.	B1190522V00に対して送り溝長さを短縮
P	7/16" (11.1mm)	Spare parts type 補用パーツ仕様		

No.	品番	品名	備考	子部品	消耗品	個数
1	11346400	WASTE MATERIAL GUIDE				1.00
2	11346400	WASTE MATERIAL GUIDE				1.00
3	11346400	WASTE MATERIAL GUIDE				1.00
4	11346400	WASTE MATERIAL GUIDE				1.00
5	11346400	WASTE MATERIAL GUIDE				1.00
6	11346400	WASTE MATERIAL GUIDE				1.00
7	11346400	WASTE MATERIAL GUIDE				1.00
8	11346400	WASTE MATERIAL GUIDE				1.00
9	11346400	WASTE MATERIAL GUIDE				1.00
10	11346400	WASTE MATERIAL GUIDE				1.00
11	11346400	WASTE MATERIAL GUIDE				1.00
12	11346400	WASTE MATERIAL GUIDE				1.00
13	11346509	WASTE MATERIAL GUIDE C				1.00
14	11346509	WASTE MATERIAL GUIDE C				1.00
15	11346509	WASTE MATERIAL GUIDE C				1.00
16	11346509	WASTE MATERIAL GUIDE C				1.00
17	11346509	WASTE MATERIAL GUIDE C				1.00
18	11346608	WASTE MATERIAL GUIDE D				1.00
19	B1524530CB0	PRESSER FOOT ASM.				1.00
20	B1524530CB0	PRESSER FOOT ASM.				1.00
21	B1524530CB0	PRESSER FOOT ASM.				1.00
22	B1524530DB0	PRESSER FOOT ASM.				1.00
23	B1524530EB0	PRESSER FOOT ASM. E				1.00
24	B1524530EB0	PRESSER FOOT ASM. E				1.00
25	B1524530EB0	PRESSER FOOT ASM. E				1.00
26	B1524530EB0	PRESSER FOOT ASM. E				1.00
27	B1524530EB0	PRESSER FOOT ASM. E				1.00
28	B1524530EB0	PRESSER FOOT ASM. E				1.00
29	B1524530EB0	PRESSER FOOT ASM. E				1.00
30	B1524530GB0	PRESSER FOOT ASM G WITH GUARD				1.00
31	B1524530GB0	PRESSER FOOT ASM G WITH GUARD				1.00
32	B1524530GB0	PRESSER FOOT ASM G WITH GUARD				1.00
33	B1524530GB0	PRESSER FOOT ASM G WITH GUARD				1.00
34	B1524530GB0	PRESSER FOOT ASM G WITH GUARD				1.00
35	B1524530GB0	PRESSER FOOT ASM G WITH GUARD				1.00
36	B1524530GB0	PRESSER FOOT ASM G WITH GUARD				1.00
37	B1613522N00A	FEED DOG				1.00
38	B1613522N00A	FEED DOG				1.00
39	B1613522N0C	FEED DOG (NC)				1.00
40	B1613522N00A	FEED DOG				1.00
41	B1613522N00A	FEED DOG				1.00
42	B1613522N00A	FEED DOG				1.00
43	B1613522N0D	FEED DOG ND				1.00
44	B1613522N00A	FEED DOG				1.00
45	B1613522N00A	FEED DOG				1.00
46	B1613522N00A	FEED DOG				1.00
47	B1613522N0D	FEED DOG ND				1.00
48	B1613522N00A	FEED DOG				1.00
49	B1613522W00A	FEED DOG				1.00
50	B1613522A0AA	FEED A				1.00

51	B1613522W00A	FEED DOG				1.00
52	B1613522W00A	FEED DOG				1.00
53	B1613522B00	FEED DOG B				1.00
54	B1613522W00A	FEED DOG				1.00
55	B4145530C00	KNIFE (C)				1.00
56	B4121522000	KNIFE				1.00
57	B4121522000	KNIFE				1.00
58	B4121522000	KNIFE				1.00
59	B4121522000	KNIFE				1.00
60	B4121522000	KNIFE				1.00
61	B4121522000	KNIFE				1.00
62	B4121522000	KNIFE				1.00
63	B4121522A00	KNIFE A				1.00
64	B4121522000	KNIFE				1.00
65	B4121522000	KNIFE				1.00
66	B4121522000	KNIFE				1.00
67	B4121522000	KNIFE				1.00
68	B4121522000	KNIFE				1.00
69	B4121522000	KNIFE				1.00
70	B4121522000	KNIFE				1.00
71	B4121522000	KNIFE				1.00
72	B4121522000	KNIFE				1.00

# HOW TO MAKE USE OF THIS PARTS LIST

- 1.As to "#01" and "#02" refer to the "Note" given at the bottom of the respective pages.
- 2.Codes on the "Qty" column
  - Each numeral indicates the number of parts required.
  - "0.1" and "2.5" indicate the length (in meters) of the respective parts.
- 3.Parentheses mean that the corresponding part is a subpart that constructs an assembly part.
- 4.Dotted lines on the Figures indicate assembly parts.
- 5.As to the parts with marks of "☆"(Consumable parts)and "◎"(optional parts)on the respectie parts, it is recommended to prepare spares.

1. リストページの# 0 1、# 0 2の印は、ページ下の"注記"の説明を参照下さい。
2. 数量欄の数字は、個数を表し、0. 1、2. 5等の数値は、長さ（単位メートル）を表します。
3. 数量欄の（ ）は、組部品を構成している子部品であることを意味します。
4. イラストページの-----枠は、組構成であることを意味します。
5. リストページの"☆"（消耗部品）、"◎"（オプション部品）の印が付いた部品は、予備を準備しておくことをお奨めします。